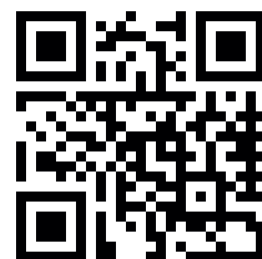


INSTALLATION MANUAL

USB-ISO

USB galvanic insulator



SENECA s.r.l.

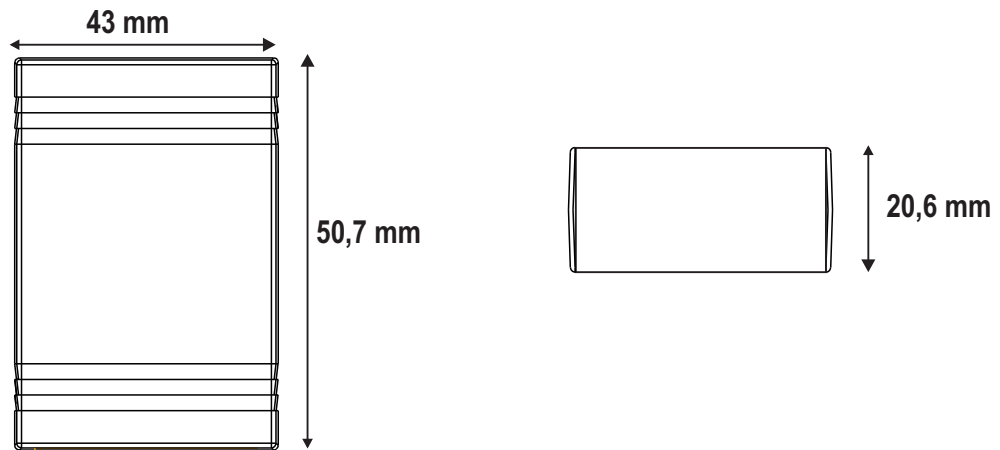
Via Austria, 26 – 35127 – PADOVA – ITALY

Tel. +39.049.8705355 - 8705359 - Fax +39.049.8706287

Manuals and configuration software are available at website: www.seneca.it/products/usb-iso

This document is property of SENECA Srl. Duplication and reproduction are forbidden, if not authorized.
Contents of the present documentation refers to products and technologies described in it.
This informations may be modified or integrated for technical and / or commercial requirements.

MODULE LAYOUT



weight	25 g.
Case	Material ABS, black.

TECHNICAL SPECIFICATIONS


POWER SUPPLY	5 V – 1 A
INSULATION	<p>Diagram illustrating the power supply configuration. A power supply (5 V / 1 A) is connected to a USB to device and a Micro USB to PC. The power supply is labeled "Power Supply" and "5 V / 1 A". A test voltage of 2500 Vac is indicated.</p>
ENVIRONMENTAL CONDITION	Temperature: 0 – + 50°C Humidity: 30% – 90% non condensing. Storage temperature: -20 – + 65°C
MAXIMUM DATA TRANSFER SPEED	12 Mbps

PRELIMINARY WARNINGS



WARNING: Before performing any operation it is mandatory to read the full contents of this manual. The module must only be used by qualified and skilled technicians in the field of electric installation. Specific documentation is available for download from website: www.seneca.it/products/r-16di-8do.

The symbol  with the word **WARNING** identifies conditions and actions that pose hazard(s) to the user.

The symbol  with the word **CAUTION** identifies conditions and actions that may damage the device or the equipments connected.

The warranty is null and void in case of improper use or tampering of the device or accessories supplied by the manufacturer necessary for its correct operation and if the instructions in this manual are not followed.



Only the Manufacturer is authorized to repair the module or to replace damaged parts. The product is susceptible to electrostatic discharge, take appropriate countermeasures during any operation.



CAUTION: It is forbidden to install the device near heat sources.

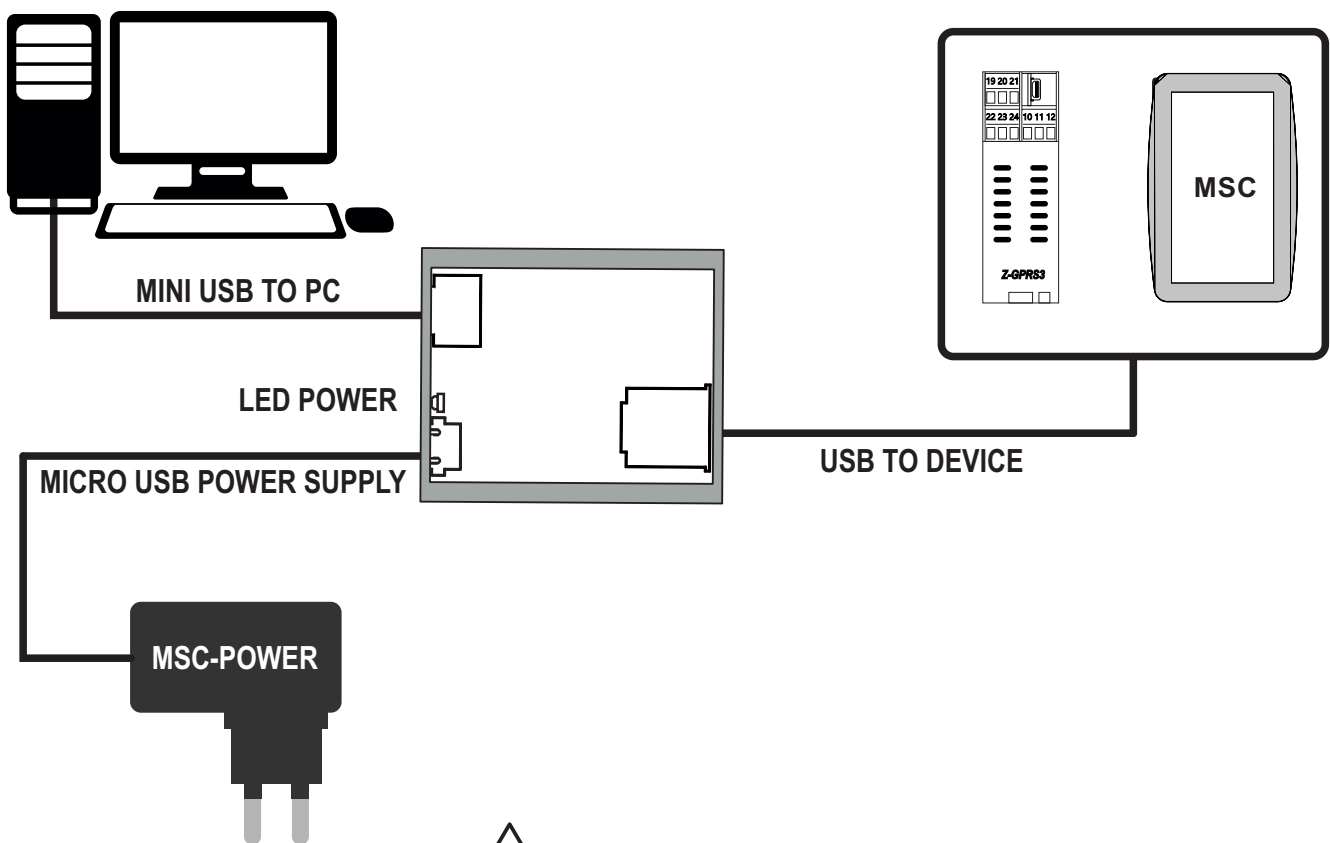


Disposal of electrical & electronic equipment (applicable throughout the EU and other countries with separate collection programs). The symbol found on this product or on its packaging, indicates that this product it must be handed over to a collection point authorized to **recycle electrical and electronic equipment**.

PRODUCT DESCRIPTION

USB-ISO is a USB port isolator with external power supply, capable of providing power to a USB device up to 1 A. This isolator allows you to avoid "ground-loop" between PC and USB devices connected and/or to protect the PC from any surges applied to the USB device. USB-ISO can also be used as an amplifier to extend USB connections. This device is galvanically isolated in 2 ways up to 2.5 kVac and has a LED status indicator for power supply. It is equipped with USB-A port (towards your USB instrument), micro USB port (towards the power supply), and mini USB port (towards your PC workstation). USB-ISO is mandatory if you need to connect multiple MSC calibrators to the same workstation (one isolator per calibrator). If you need to use it with MSC calibrator, in order to avoid measuring problems, is mandatory to use the power supply (MSC-POWER) supplied with the MSC calibrator.

CONNECTIONS



WARNING

If you need to use USB-ISO isolator with the MSC calibrator please use the power supply (MSC-POWER) supplied with the MSC calibrator in order to avoid reading errors or malfunction of the instrument.

ACCESSORIES

POWER SUPPLY	MSC-POWER
--------------	-----------

CONTACTS

Technical support	support@seneca.it	Product Informations	sales@seneca.it
-------------------	-------------------	----------------------	-----------------