



Z-4TC 4-CH THERMOCOUPLE / MV INPUT MODULE / RS485 MODBUS RTU

Modbus

**TOP
PRODUCT**

TECHNICAL DATA

GENERAL DATA

Power Supply	10..40 Vdc / 19..28 Vac / 50-60 Hz
Power Consumption	Max 2.5 W; 1.6 W @ 24 Vdc
Isolation	1.500 Vac (3 way)
Power Transducers	Power Supply Error Data Transmission Data Receiving
Protection Degree	IP20

THERMOMECHANICAL FEATURES

Operating Temperature	-10..+65 °C
Housing	Nylon 6 with 30% glass-fiber, V0 self-extinguished class
Connections	Removable terminals block, plug in connectors, max wire size 2.5 mm ²
Mounting	35 mm DIN rail guide 46277

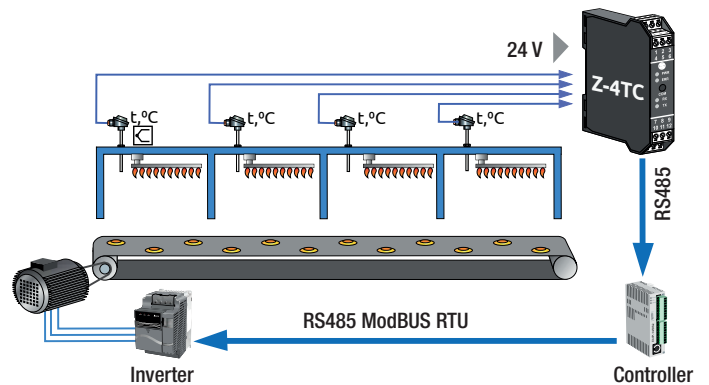
COMMUNICATION, PROCESSING, MEMORY

Interfaces	2 wires RS485
Speed	Up to 115 kbps
Protocol	ModBUS RTU slave
Communication Time	< 20 ms (@ 38400 baud)
Distance	Up to 1200 m
Connectivity	Max 32 nodes
Data Memory	EEPROM for the configuration parameters, retention time 10 years

SIGNALS, MEASUREMENT; CONFIGURATIONS, NORMS

Channel	4
Type	Thermocouple J, K, R, S, T, B, E, N (EN 60584-1, ITS-90) Voltage Input ± 160 mV
Resolution	13 bit+sign
Accuracy	0,10%
Thermal Drift	0,01%/°C c.d.m.
Programming	Z-NET4 (IEC 61131 software) EASY SETUP(plug&play software) DIP switches
Norms & Approvals	CE, EN50081-2, EN 55011, EN 50082-2, EN 61000-2-2/4, EN 50140/141, EN 61010-1, EN 60742

APPLICATION EXAMPLE



ORDER CODES

Code	Description
Z-4TC	4-CH thermocouple / mV input module / RS485 MODBUS RTU
Software	pag. 41
Accessories	pag. 45