

R-KEY-LT

1-PORT MODBUS RTU/ASCII GATEWAY

Highlights

- **Gateway Operating Mode: from ModBus TCP-IP to Modbus RTU / ASCII; from Modbus RTU / ASCII to Modbus TCP-IP**
- **Traffic monitoring on Web Server**
- **Nr.1 Fast Ethernet port 10/100 Tx, front connector RJ45**
- **Max 8 Client ModBUS TCP**
- **Up to 10 ModBUS TCP Servers**
- **Nr. 1 serial port RS232 / RS485, baud rate max 115 kbps**
- **Flexible programming via web server or software tools**
- **Operating temperature: -20 .. + 70 ° C**
- **DIN rail or wall mounting**

R-KEY-LT is a compact and reliable Modbus gateway that converts from Modbus TCP-IP protocol to Modbus RTU / ASCII and vice versa. It supports up to 8 TCP-IP Modbus clients simultaneously and 10 Modbus TCP-IP servers.

Through this model, serial Modbus slave devices can be integrated into an existing TCP-IP Modbus network as well as Modbus TCP-IP slave devices can be made accessible to serial master.

R-KEY-LT can be configured through web server and software tools.

The module has Vac / dc power on the same hardware, 1,5 kVac isolation, extended temperature range. The device can be powered also by a 230 Vac power supply unit.





1-PORT MODBUS RTU/ASCII GATEWAY

TECHNICAL DATA

GENERAL DATA

Power Supply	10..40 Vdc; 19..28 Vac
Max power consumption	1 W
Ethernet port isolation	1,5 kVac
LED Status indicators	Power supply Rx-Tx serial communication Ethernet link / traffic
Pollution degree	2
Protection degree	IP20
Operating temperature	-20..+70°C
Dimension (wxhxd)	32 x 110 x 52 mm
Case	PC/ABS UL94-V0 self-extinguish RAL 7035 grey color
Weight	80 g
Connections	Removable screw terminals 7/2 ways, step 5 mm
Mounting	DIN rail (IEC EN 60715) or wall mount

COMMUNICATION

Ethernet port	Nr 1 Fast Ethernet 10/100 Tx port, RJ45 connectors Up to 8 TCP-IP Clients / Up to 10 TCP/IP Servers
Serial port	Nr. 1 RS232 / RS485 switchable serial port, max baud rate 115kbps
Supported protocols	ModBUS TCP-IP, ModBUS RTU, Modbus ASCII
Ethernet to Serial	Max 8 ModBUS TCP clients
Serial to Ethernet	Max 10 ModBUS TCP servers

OPERATING MODE

ModBUS Gateway	From ModBUS TCP-IP to Modbus RTU/ASCII From Modbus RTU/ASCII to Modbus TCP-IP
Traffic monitoring	Yes by webserver

CPU

Processor	ARM 32 bit
-----------	------------

SETTINGS

Web Server	Yes (HTTP server with PHP e CGI support; basic authentication security (login/password);
DIP switch	Yes (RS485, IP)
Software tools	SENECA Discovery Device

STANDARDS

Approvals	CE
Norms	EN61000-6-4 EN61000-6-2 EN61010-1

ORDER CODES

Code	Description
------	-------------

GATEWAY

R-KEY-LT	1-Port Modbus RTU/ASCII Gateway
----------	---------------------------------

ACCESSORIES

ALIM-MY2	Power supply unit 230 V / 12 V
CE-RJ45-RJ45-R	Straight-thru Ethernet cable (RJ45-RJ45), 1,5 m

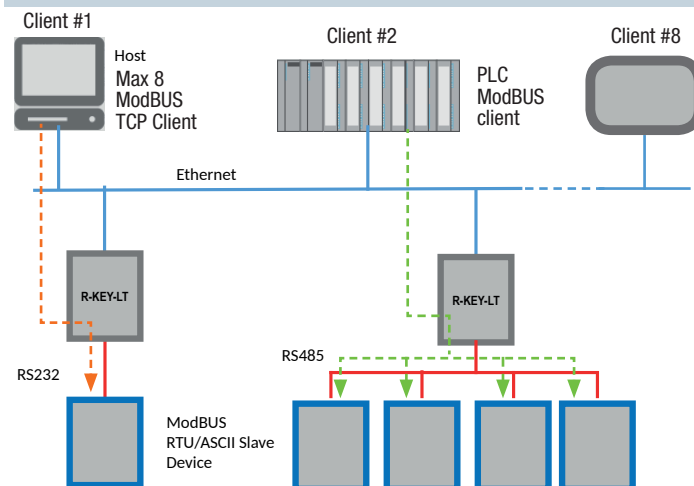
SOFTWARE

SDD	SENECA Discovery Device
-----	-------------------------

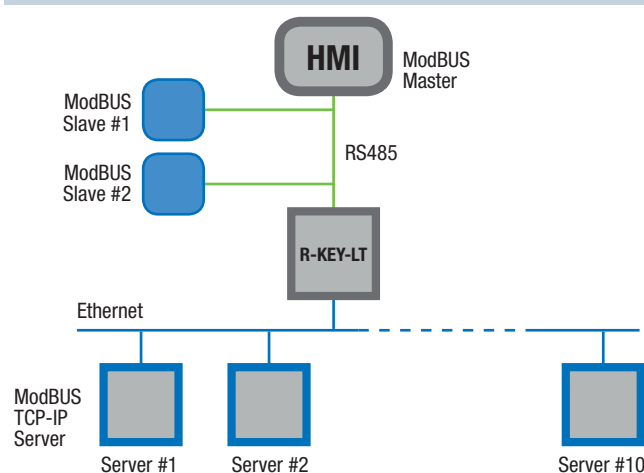
For further information please visit www.seneca.it

APPLICATION NOTE

ModBUS TCP → ModBUS RTU / ASCII



ModBUS RTU / ASCII → ModBUS TCP



EXTENDED SERIAL OVER ETHERNET

