

A-GSM-QUAD-N

(DATASHEET)



Type	Wall mount omnidirectional antenna
Frequencies	AMPS (850 MHz) GSM (900 MHz) DCS (1800 MHz) PCS (1900 MHz) 3G (UMTS 2.1 GHz) WIFI / BLUETOOTH (2.4 GHz) 4G/LTE (791-960/1710-2690 MHz)
Mounting	Wall Mount
Revision	00

1. PRODUCT CODE

A-GSM-QUAD-N

2. SPECIFICATION

2.1. Electrical Specifications

Mobile (Cable 1)

Frequencies	AMPS (850 MHz) GSM (900 MHz) DCS (1800 MHz) PCS (1900 MHz) 3G (UMTS 2.1 GHz) WIFI / BLUETOOTH (2.4 GHz) 4G/LTE (791-960/1710-2690 MHz)
Impedance	50 Ohms
Polarization	Vertical
Gain	2.2 dBi Max
VSWR*	< 4:1
Power handling	100W

*Stated when measured with 3m of RG58

2.2. General Specifications

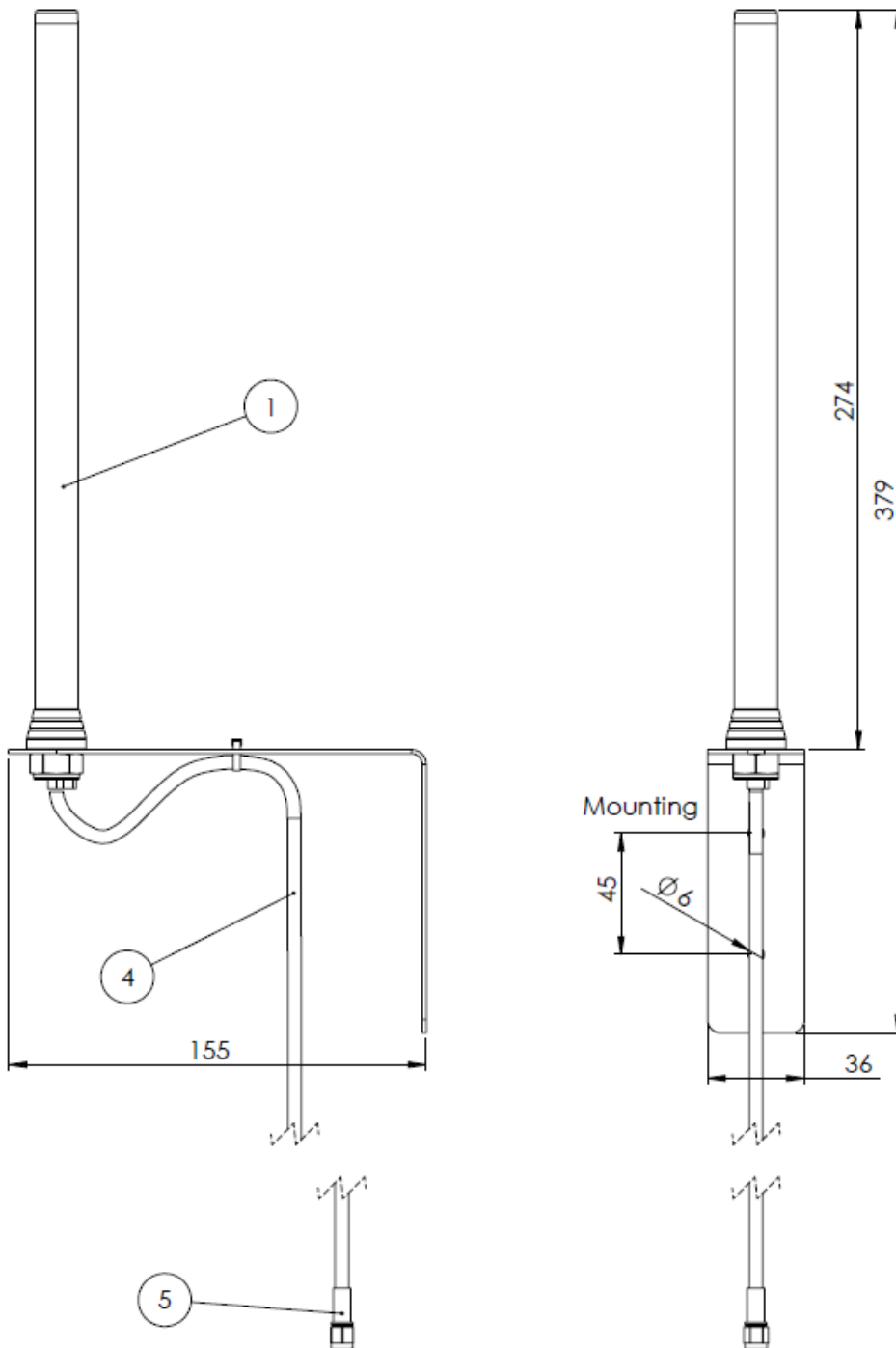
Operating temperature	-40°C to +85°C
-----------------------	----------------

2.3. Connection Specifications

Connector type: FME
Cable: RG58
Cable length: 500 cm

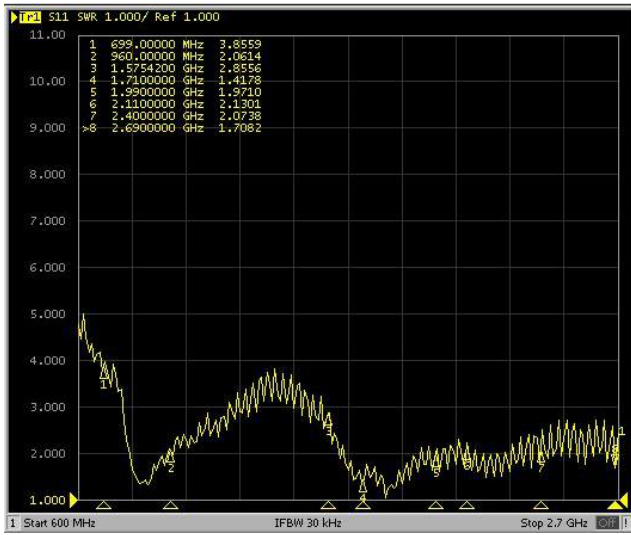
2.4. Mechanical Specifications and Dimensions

Material: Tube: ABS / Base: Brass / Bracket: Steel
Max. dimensions: 379 mm x 155 mm x 36 mm (H x L x W)
Colour: Black



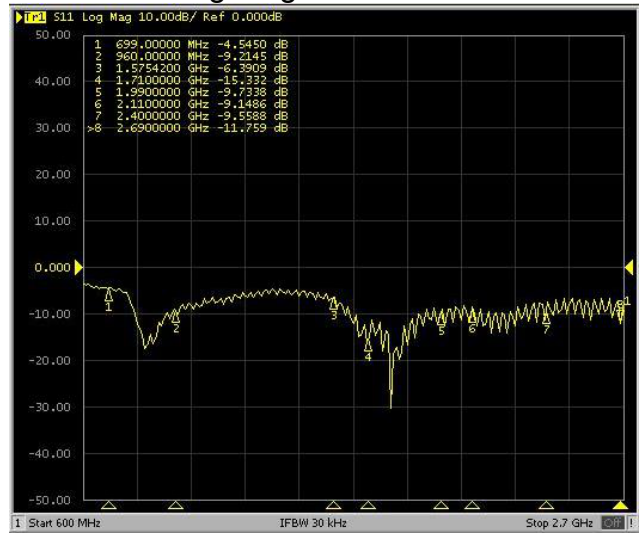
3. MEASUREMENT

VSWR for LTE band

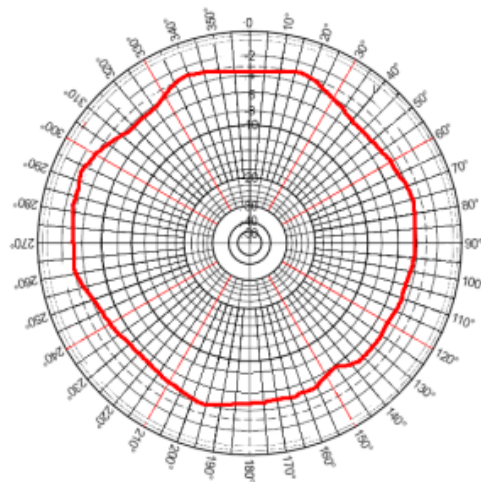


Tested with 3 m of RG58

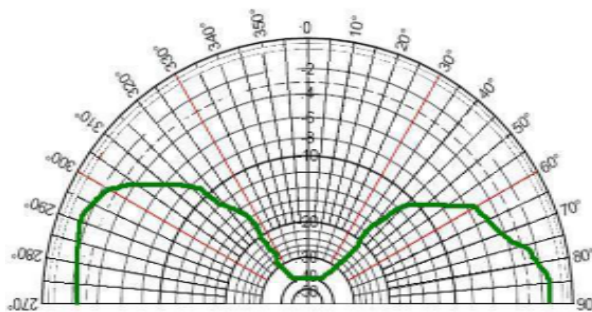
Log Mag for LTE band



Tested with 3 m of RG58



Azimuthal Pattern (Z,Y or H-Plane)



Elevation Pattern (X,Y or E-Plane)

