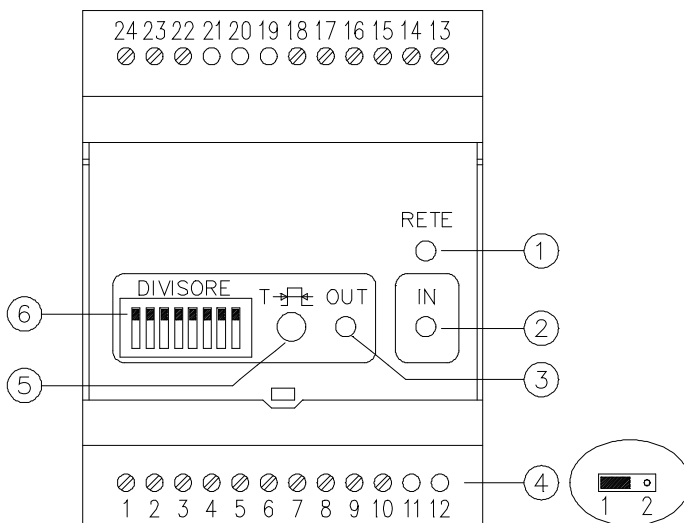


FEATURES

S 112 M is a power-supply for ON/OFF sensors , its features follows :

- **Inputs** : optoisolated to receive signals from sensors: reed (contact), NPN 2 wires, NPN 3 wires 24Vdc, NPN 3 wires 12Vdc, PNP 2 wires, PNP 3 wires 24Vdc, Namur, pulses 24Vdc and photoelectric.
Max. frequency 400Hz, min. pulse duration 2ms.
- **Divider** : you can divide pulses in input for a factor you can program from 1 to 256 by 8 DIP-switches on front panel.
- **Outputs** : 5 reed-relays each SPST switch $V_{max}=100V_{cc}/50V_{ca}$, $I_{max}=0,5A$
 $P_{max} =10W$ (resistive load).
Mechanical relay life 100.000.000 operations.
- **Pulses duration** : You can select output pulse that has the same life of the input one,or with fix duration adjustable by 15 to 250 ms by a trimmer on front panel.
- **Warings** : green LED RETE : equipment on;
red LED INGRESSO : pulse input;
red LED USCITA : pulse output.
- **Temperature** : -20° / $+60^{\circ}$ C.
- **Humidity** : 40 % at 40° C (not condensing).
- **Box** : 4 modules DIN 46277, gray autoextinguishing noryl, to be coupled on 35mm guide.
- **Size** : 70 x 90 x 71 mm.
- **Weight** : 250 g approx.
- **Power-supply** : S112M-1-ST 115 / 230 Vac $\pm 10\%$ 50 / 60 Hz
S112M-23-ST 24 Vdc-ac $\pm 10\%$
- **Consumption** : 1,5 VA.

**DEFAULT SETTING:**

OUTPUT PULSES DURATION =25mS

PULSES DIVIDER=1

WARNING: WITH THIS SET, MAXIMUM FREQUENCY EQUAL TO 40Hz.

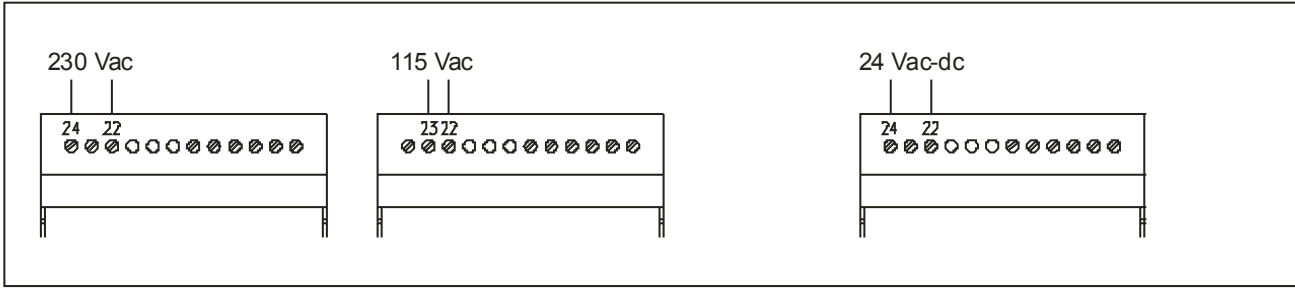
Note: To reach the jumper (4) it is necessary to remove plastic terminal cover by a screwdriver.

WIRINGS

POWER SUPPLY

S112M-1-ST

S112M-23-ST

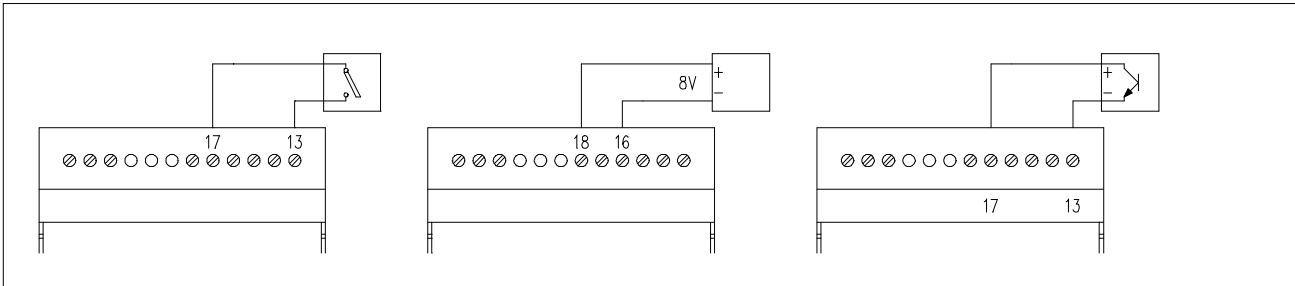


INGRESSI / INPUTS

Reed

NAMUR (8V)

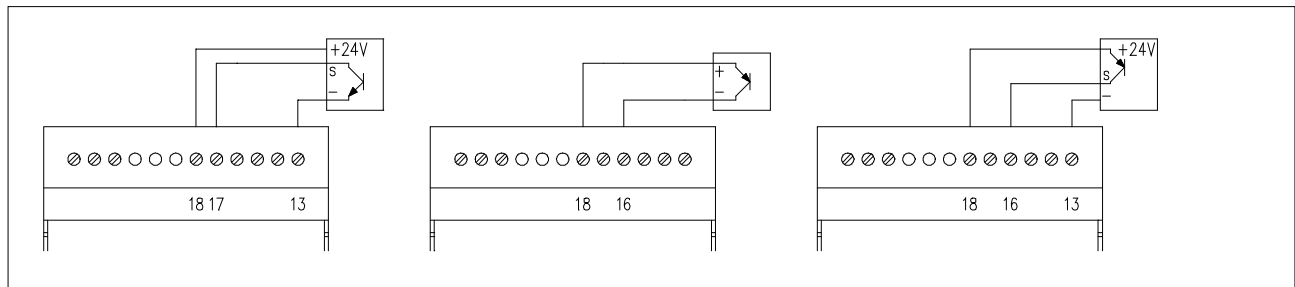
NPN 2 wires



NPN 3 wires

PNP 2 wires

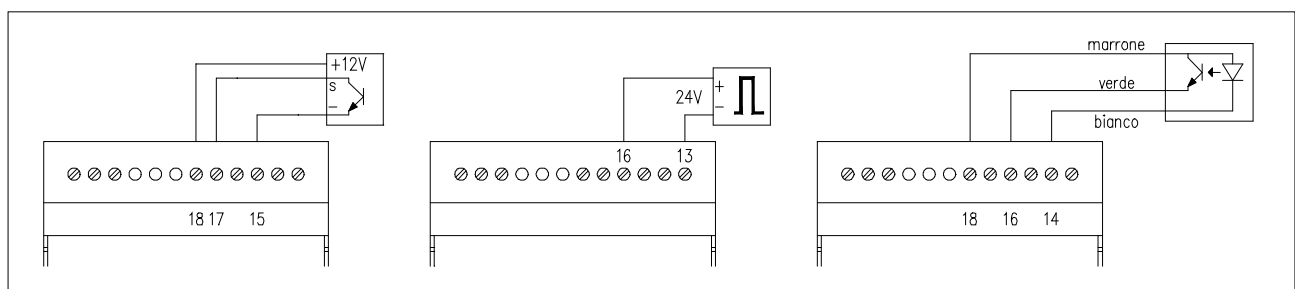
PNP 3 wires



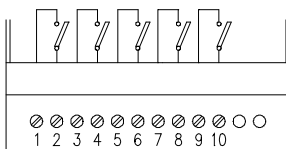
NPN 3 wires

Pulses (24V)

Photoelectric sensor



OUTPUTS



PROGRAMMAZIONE DEL DIVISORE (0 = DIP-switch in OFF, 1 = DIP-switch in ON)
HOW TO PROGRAM DIVIDER (0 = DIP-switch OFF, 1 = DIP-switch ON)

n	12345678	n	12345678	n	12345678	n	12345678
1	11111111	65	10111111	129	01111111	193	00111111
2	11111110	66	10111110	130	01111110	194	00111110
3	11111101	67	10111101	131	01111101	195	00111101
4	11111100	68	10111100	132	01111100	196	00111100
5	11111011	69	10111011	133	01111011	197	00111011
6	11111010	70	10111010	134	01111010	198	00111010
7	11111001	71	10111001	135	01111001	199	00111001
8	11111000	72	10111000	136	01111000	200	00111000
9	11110111	73	10110111	137	01110111	201	00110111
10	11110110	74	10110110	138	01110110	202	00110110
11	11110101	75	10110101	139	01110101	203	00110101
12	11110100	76	10110100	140	01110100	204	00110100
13	11110011	77	10110011	141	01110011	205	00110011
14	11110010	78	10110010	142	01110010	206	00110010
15	11110001	79	10110001	143	01110001	207	00110001
16	11110000	80	10110000	144	01110000	208	00110000
17	11101111	81	10101111	145	01101111	209	00101111
18	11101110	82	10101110	146	01101110	210	00101110
19	11101101	83	10101101	147	01101101	211	00101101
20	11101100	84	10101100	148	01101100	212	00101100
21	11101011	85	10101011	149	01101011	213	00101011
22	11101010	86	10101010	150	01101010	214	00101010
23	11101001	87	10101001	151	01101001	215	00101001
24	11101000	88	10101000	152	01101000	216	00101000
25	11100111	89	10100111	153	01100111	217	00100111
26	11100110	90	10100110	154	01100110	218	00100110
27	11100101	91	10100101	155	01100101	219	00100101
28	11100100	92	10100100	156	01100100	220	00100100
29	11100011	93	10100011	157	01100011	221	00100011
30	11100010	94	10100010	158	01100010	222	00100010
31	11100001	95	10100001	159	01100001	223	00100001
32	11100000	96	10100000	160	01100000	224	00100000
33	11011111	97	10011111	161	01011111	225	00011111
34	11011110	98	10011110	162	01011110	226	00011110
35	11011101	99	10011101	163	01011101	227	00011101
36	11011100	100	10011100	164	01011100	228	00011100
37	11011011	101	10011011	165	01011011	229	00011011
38	11011010	102	10011010	166	01011010	230	00011010
39	11011001	103	10011001	167	01011001	231	00011001
40	11011000	104	10011000	168	01011000	232	00011000
41	11010111	105	10010111	169	01010111	233	00010111
42	11010110	106	10010110	170	01010110	234	00010110
43	11010101	107	10010101	171	01010101	235	00010101
44	11010100	108	10010100	172	01010100	236	00010100
45	11010011	109	10010011	173	01010011	237	00010011
46	11010010	110	10010010	174	01010010	238	00010010
47	11010001	111	10010001	175	01010001	239	00010001
48	11010000	112	10010000	176	01010000	240	00010000
49	11001111	113	10001111	177	01001111	241	00001111
50	11001110	114	10001110	178	01001110	242	00001110
51	11001101	115	10001101	179	01001101	243	00001101
52	11001100	116	10001100	180	01001100	244	00001100
53	11001011	117	10001011	181	01001011	245	00001011
54	11001010	118	10001010	182	01001010	246	00001010
55	11001001	119	10001001	183	01001001	247	00001001
56	11001000	120	10001000	184	01001000	248	00001000
57	11000111	121	10000111	185	01000111	249	00000111
58	11000110	122	10000110	186	01000110	250	00000110
59	11000101	123	10000101	187	01000101	251	00000101
60	11000100	124	10000100	188	01000100	252	00000100
61	11000011	125	10000011	189	01000011	253	00000011
62	11000010	126	10000010	190	01000010	254	00000010
63	11000001	127	10000001	191	01100001	255	00000001
64	11000000	128	10000000	192	01100000	256	00000000