

Z-PC Series

CANopen

Modbus



## ZC-8AI

CANopen I/O Module  
4 Couples isolated (1,5KV) double  
Voltage/Current Inputs

## Installation manual

### Contents:

### Pag

- General Specifications	2
- Technical Specifications	2
- Installation Rules	4
- Electrical Connections	4
- Led Signallings	7
- Programming	8
- DIP-switch settings	8
- Accessories	8



**SENECA s.r.l.**

Via Austria, 26 - 35127 - PADOVA - ITALY

Tel. +39.049.8705355 - 8705359 - Fax +39.049.8706287

e-mail: [info@seneca.it](mailto:info@seneca.it) - [www.seneca.it](http://www.seneca.it)

This document is property of SENECA srl. Duplication and reproduction are forbidden, if not authorized. Contents of the present documentation refers to products and technologies described in it. All technical data contained in the document may be modified without prior notice. Content of this documentation is subject to periodical revision.

## General Specifications

HW	<ul style="list-style-type: none"> <li>✓ 8 analog inputs (4 isolation zones)</li> <li>✓ Inputs: 0 -20.5mA; 0 - 10.5V</li> <li>✓ 6 isolation zones, 1500 V<sub>AC</sub> isolation amongst every zone</li> <li>✓ Protection against ESD discharge up to 4 kV.</li> <li>✓ Simplified power supply and serial bus wiring by means of the bus housed in the DIN rail.</li> <li>✓ Power for up to 8 sensors, up to 22mA @ 16.5V each.</li> <li>✓ Adjustable resolution: 14 or 15 bit</li> <li>✓ Minimum refresh time: 20ms</li> </ul>
SW	<ul style="list-style-type: none"> <li>✓ Adjustable rejection 50 or 60 Hz</li> <li>✓ Variable input filtering</li> <li>✓ Led Indications: Power Supply, CAN communication, MODBUS-RTU communication, Inputs fault.</li> </ul>
Comm	<ul style="list-style-type: none"> <li>✓ CAN Interface with CANopen protocol: up to 1 Mbps speed.</li> <li>✓ CANopen Baud rate and Node ID configurability by DIP-switches or software.</li> <li>✓ Node guarding or heartbeat</li> <li>✓ RS232 Serial Communication with MODBUS-RTU protocol</li> <li>✓ Complete configurability through specific software downloadable in the website <a href="http://www.seneca.it">www.seneca.it</a></li> </ul>

## Technical specifications

POWER SUPPLY	
Voltage	10 – 40 V DC o 19 – 28 V AC (50 – 60Hz)
Consumption	Max 5.0W (all sensors powered)
ANALOG INPUTS	
Input Type	Monopolar input: current o voltage
Full Scale	0 - 20.5mA; 0 - 10.5V
Voltage input error 14bits	0.046% f.s. + 1.7mV
Voltage input error 15bits	0.039% f.s. + 1.3mV
Current input error 14bits	0.046% f.s. + 3.4 uA
Current input error 15bits	0.039% f.s. + 2.4uA

## CONVERSION / PRECISION SPECIFICATIONS

ADC	15 bits
Thermal drift	< 100 ppm/°C
Sampling frequency	Settable from 11 to 48 Hz
Interference rejection	Settable either at 50 or 60 Hz

## ENVIRONMENTAL CONDITIONS

Operational Temperature	-10 – +65 °C
Storage Temperature	-20 – +85 °C
Humidity	30 – 90 % non-condensing
Altitude	Up to 2000m a.s.l.

## CONNECTIONS

Removable terminals	Removable 4-way screw terminals, 3.5mm pitch.
IDC10 Rear Connector	CAN Interface and Power Supply (for DIN rail).
Stereophonic frontal jack	3,5 mm for RS232 connection (COM)

## DIMENSIONS / BOX

Dimensions and Weight	100 x 112 x 17,5 mm; 140 g
Box	PBT, black

## ISOLATIONS / STANDARDS

Standards	<p>EN61000-6-4/2007 (electromagnetic emission, industrial environment) EN61000-6-2/2005 (electromagnetic immunity, industrial environment) EN61010-1/2001 (safety).</p> <p><i>All circuits must be isolated from the other circuits under dangerous voltage with double isolation. The power supply transformer must comply with EN60742: "Isolated transformers and safety transformers".</i></p>
-----------	--

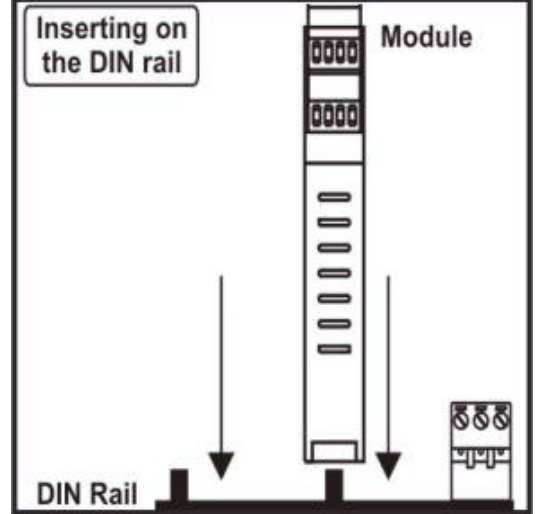


## Installation Rules

The module is designed to be installed in vertical position on a DIN 46277 rail. In order to ensure optimum performance and the longest working life, the module(s) must be supplied adequate ventilation and no raceways or other objects that obstruct the ventilation slots. Never install modules above sources of heat; we recommend installation in the lower part of the control panel.

**Inserting on the DIN rail as it is illustrated in the figure:**

- 1) Insert the rear IDC10 connector on a DIN rail free slot (the inserting is univocal since the connectors are polarized).
- 2) Tighten the two locks placed at the sides of the rear connector to fix the module.

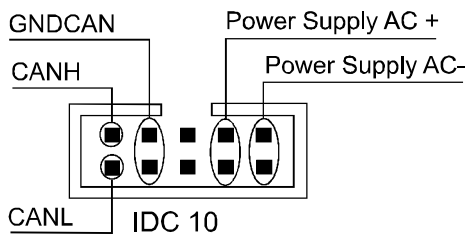


## Electrical Connections

### POWER SUPPLY AND CAN INTERFACE

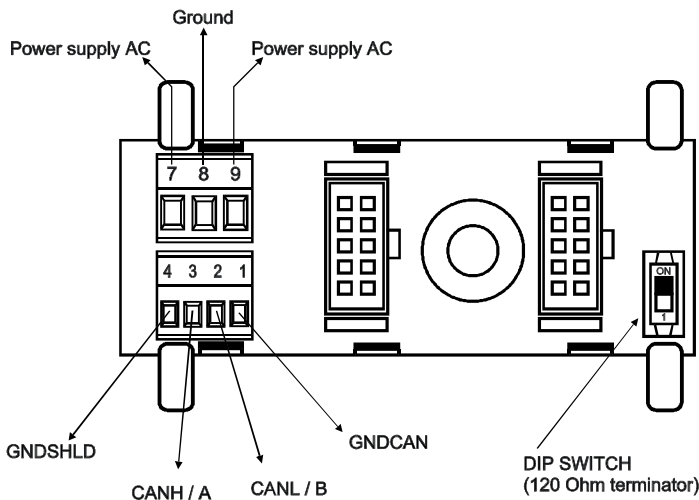
Power Supply and CAN interface are available by using the bus for the Seneca DIN rail, by the rear IDC10 connector or by Z-PC-DINAL2-17.5 / Z-PC-DINAL1-35 accessory (see *Accessories*).

#### Rear Connector (IDC10)



In the figure the meaning of the IDC10 connector pins is showed, in the case the user decides to provide the signals directly through it.

#### Z-PC-DINAL2-17.5 / Z-PC-DINAL1-35 Accessories Use



In case of Z-PC-DINAL2-17.5 / Z-PC-DINAL1-35 accessory use, the signals may be provided by terminal blocks. The figure shows the meaning of the terminals and the position of the DIP-switch (present on each DIN rail supports listed on *Accessories*) for CAN network termination.

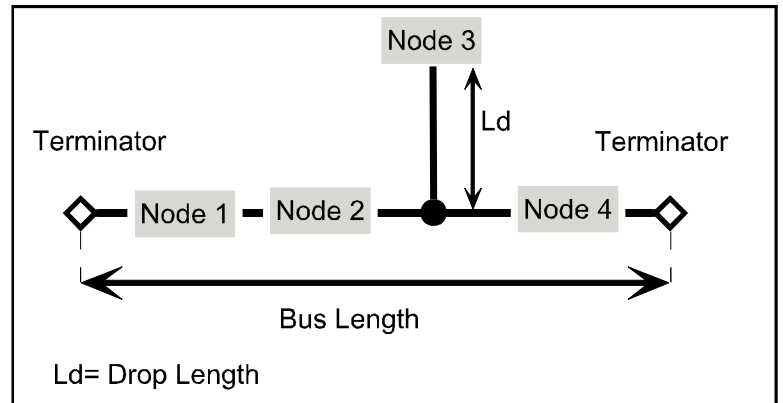
**GNDSHLD:** Shield to protect the connection cables (always recommended).

## CAN bus Connection Rules

- 1) Install the modules on the DIN rail (max 120).
- 2) Connect the remote modules using cables of proper length. On the table the following data about the cables length are provided:
  - *Bus Length*: CAN network maximum length as a function of the Baud rate. It is the length of the cables which connects the two bus terminators modules (see *Scheme*).
  - *Drop Length*: maximum length of a drop line (see *Scheme*) as a function of the Baud Rate.

Baud rate	Bus Length	Drop length
20 kbps	2500 m	150 m
50 kbps	1000 m	60 m
125 kbps	500 m	5 m
250 kbps	250 m	5 m
500 kbps	100 m	5 m
800 kbps	50 m	3 m
1000 kbps	25 m	0,3 m

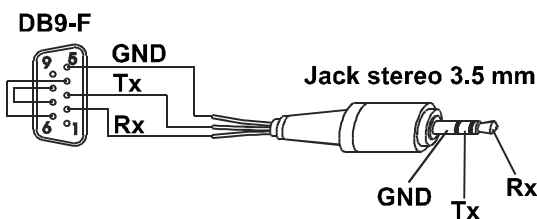
**Scheme**



For the best performances, the use of special shielded cables is recommended (**BELDEN 9841** cable for example).

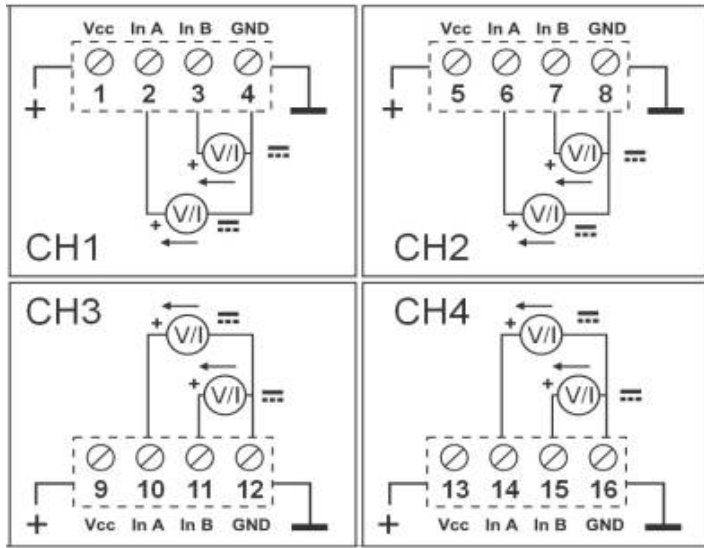
- 3) Terminate the two ends of the CANbus network by setting to ON the DIP-switch present on the DIN rail connection supports (see *Accessories*) where the two ends are inserted.

## RS232 SERIAL PORT

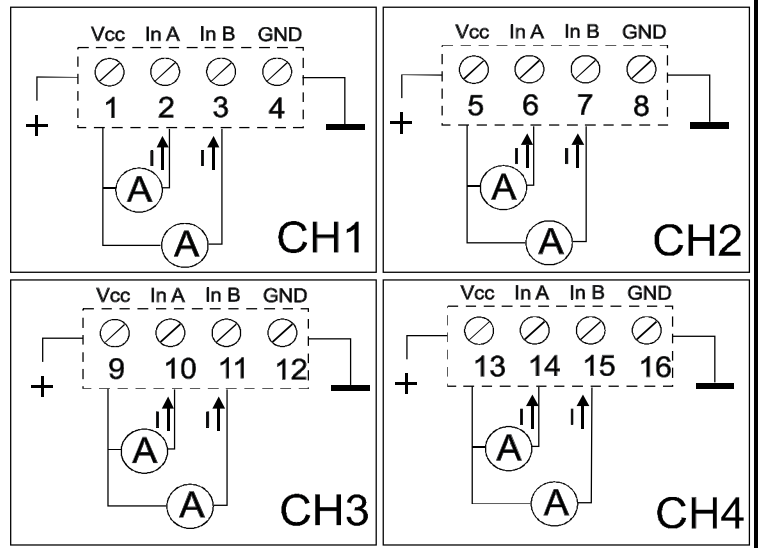


The connection cable DB9 with a 3.5 mm stereophonic jack, can be assembled as indicated in the following figure, or can be bought as an accessory (see *Accessories*).

## ANALOG INPUT OR 3 WIRE INPUT SENSOR



## 2 WIRE INPUT SENSOR

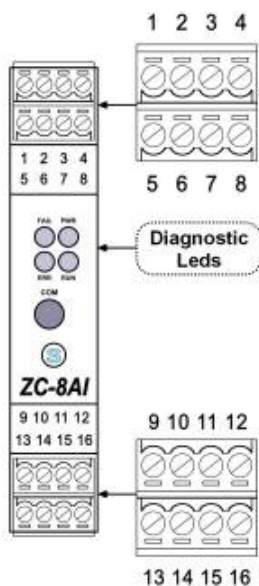


## Significant Components Position

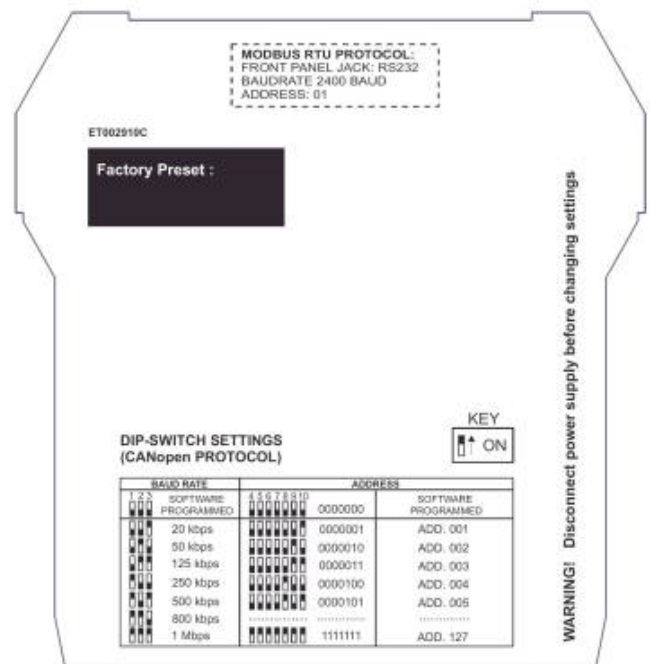
### TERMINALS/LEDS/CONNECTOR/DIP-SWITCH

The terminals numbering, the leds position on the frontal panel and the DIP-switch on the rear side are illustrated below.

#### Front panel



#### Rear side



## Leds Signallings

### LEDS *ERR* AND *RUN*: CANOPEN COMMUNICATION STATE

The meaning of leds *ERR* and *RUN* is described below; refer to the *User Manual* for details about the possible state and the flashing modes of the two leds.

#### *Led ERR (Red) meaning*

N°	Led ( <i>Red</i> )	<i>ERR</i>	STATE	DESCRIPTION
1	Off		No error	The Device is in working condition.
2	Single flash		Warning, limit reached	At least one of the error counters of the CAN controller has reached or exceeded the warning level (too many error frames).
3	Double flash		Error control Event	A guard event (NMT-Slave or NMT-Master)
4	Triple flash		Sync error	The SYNC message has not been received within the configured communication cycle period time out.
5	ON		Bus off	The CAN controller is bus off.

#### *Led RUN (Green) Meaning*

N°	Led ( <i>Green</i> )	<i>RUN</i>	STATE	DESCRIPTION
1	Single flash		Stop	The Device is in STOPPED state.
2	Blinking		Pre-Operational	The Device is in the PRE-OPERATIONAL state.
3	On		Operational	The Device is in the OPERATIONAL state.

### FAIL AND PWR: GENERAL SYSTEM DIAGNOSTICS

Led <i>PWR</i> ( <i>Green</i> )	Description
On	Power supply Presence
Led <i>FAIL</i> ( <i>Yellow</i> )	Significato
Off	• No error.
On	• Fault: <u>Power supply not sufficient</u> , faulty channel, faulty sensor, internal communication error (can be de-activated via software).
Blinking	• Data reception from frontal jack.

## Programming

The module can be programmed both through CAN interface or RS232 interface (via ModBUS-RTU). Refer to the *User Manual* for details about the communication.

### Factory preset

With all the DIP-switches in OFF position, the module is programmed as follows:

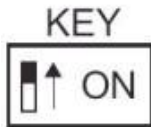
- CAN communication : **Baud Rate: 20 kbps, Address: 127**
- Analog type input : **0 - 10 V**
- ModBUS communication from **frontal jack : 2400, 8, N, 1 ADDR = 1**

## DIP-switches settings

The DIP-switches position defines the module CAN communication parameters: Address and Baud Rate. In the following figure the Baud Rate and Address values are listed as a function of the DIP-switches position:

**DIP-SWITCH SETTINGS  
(CANopen PROTOCOL)**

BAUD RATE			ADDRESS								
1	2	3	4	5	6	7	8	9	10	SOFTWARE PROGRAMMED	
☐	☐	☐	☐	☐	☐	☐	☐	☐	☐	0000000	SOFTWARE PROGRAMMED
☐	☐	☐	☐	☐	☐	☐	☐	☐	☐	0000001	ADD. 001
☐	☐	☐	☐	☐	☐	☐	☐	☐	☐	0000010	ADD. 002
☐	☐	☐	☐	☐	☐	☐	☐	☐	☐	0000011	ADD. 003
☐	☐	☐	☐	☐	☐	☐	☐	☐	☐	0000100	ADD. 004
☐	☐	☐	☐	☐	☐	☐	☐	☐	☐	0000101	ADD. 005
☐	☐	☐	☐	☐	☐	☐	☐	☐	☐	.....	.....
☐	☐	☐	☐	☐	☐	☐	☐	☐	☐	1111111	ADD. 127



We underline that on all the DIN rail supports listed on *Accessories* a DIP-switch is present and if it is set to ON position the CAN network termination is inserted.

## Accessories

### SUPPORTS FOR MOUNTING ON DIN RAIL GUIDE/ SERIAL CABLE

Code	Description
Z-PC-DINAL2-17.5	Bus Support: Terminal blocks + 2 slots to connect Z-PC line modules.
Z-PC-DINAL1-35	Bus Support: Terminal blocks + 1 slot to connect Z-PC line modules.
Z-PC-DIN2-17.5	Bus Support: 2 slots to connect Z-PC line modules.
Z-PC-DIN1-35	Bus Support: 1 slot to connect Z-PC line modules.
Z-PC-DIN8-17.5	Bus Support: 8 slots to connect Z-PC line modules.
Z-PC-DIN4-35	Bus Support: 4 slots to connect Z-PC line modules.
PM001601	Serial Cable: from 2,5 mm stereo Jack to DB9F



Disposal of Electrical & Electronic Equipment (Applicable throughout the European Union and other European countries with separate collection programs). This symbol, found on your product or on its packaging, indicates that this product should not be treated as household waste when you wish to dispose of it. Instead, it should be handed over to an applicable collection point for the recycling of electrical and electronic equipment. By ensuring this product is disposed of correctly, you will help prevent potential negative consequences to the environment and human health, which could otherwise be caused by inappropriate disposal of this product. The recycling of materials will help to conserve natural resources. For more detailed information about the recycling of this product, please contact your local city office, waste disposal service or the retail store where you purchased this product.