




# Z112D

**Amplifier with 2 independent channels for ON-OFF sensors  
RELAY OUTPUT**

## GENERAL FEATURES

- 2 pulse inputs for all the most common sensors: mechanical contact, reed, 2 and 3 wire npn with 12 Vdc and 24 Vdc power supply, 3 wire pnp with 24 Vdc power supply, NAMUR, photoelectric.
- Maximum frequency 10 Hz.
- Relay output with 1 SPST contact, maximum capacity 5 A 250 Vac (on resistive load).
- Leds on front panel indicating power on and relays energised.
- Insulation between power supply and inputs: 1500 Vac.

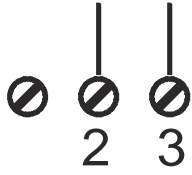
## TECHNICAL SPECIFICATIONS

Power supply:	19 - 40 Vdc, 19 - 28 Vac 50 - 60 Hz, max 2.5W.
Inputs:	Pulses: mechanical contact, reed, 2 and 3 wire npn with 12 Vdc and 24 Vdc power supply, 3 wire pnp with 24 Vdc power supply, NAMUR, photoelectric. Maximum frequency 10 Hz
Outputs:	Relay with 1 SPST contact, maximum capacity 5 A 250 Vac (on resistive load).
Ambient conditions:	Temperature: 0..50°C, min humidity 30%, max 90% at 40°C non-condensing (see also section <b>Rules for installation</b> ).
Standards: 	The instrument complies with the following standards: EN50081-2 (electromagnetic emission, industrial environment) EN50082-2 (electromagnetic immunity, industrial environment) EN61010-1 (safety)

# ELECTRICAL CONNECTIONS

## POWER SUPPLY

19-40Vdc  
19-28Vac

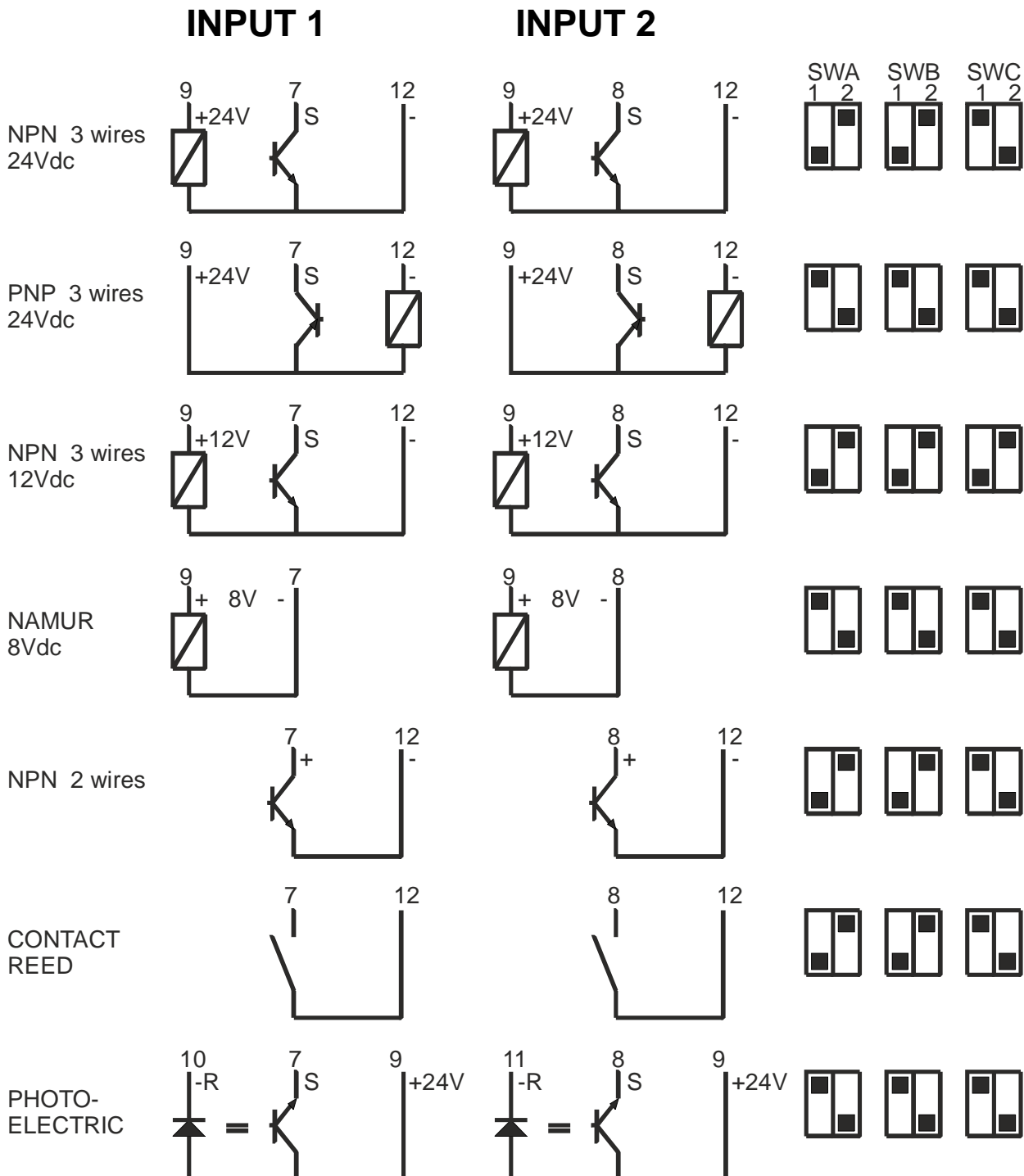


Power supply voltage must be in the range 19 to 40 Vdc (at any polarity), 19 to 28 Vac; also see section; **INSTALLATION INSTRUCTIONS.**

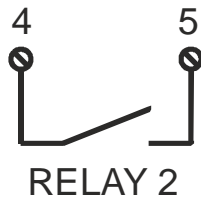
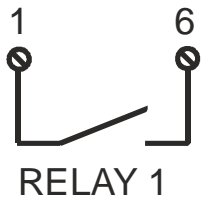
**The upper limits must not be exceeded, to avoid serious damage to the module.**

Protect the power supply source against possible damage of the module by using a fuse of suitable size.

## INPUTS and DIP-SWITCH SETTING ( $F_{max}$ 10 Hz)



## OUTPUTS



2 Reed-relay with 1 SPST contact, maximum 5 A 250 Vac (resistive load).

## INSTALLATION INSTRUCTIONS

Module Z112D was designed for fitting to guide DIN 46277, in a vertical position.

For optimum operation and long life, make sure adequate ventilation is provided for the module/s, avoiding placing raceways or other objects which could obstruct the ventilation grilles.

Do not install the modules above appliances generating heat we advise you to install in the lower part of the panel.

## SEVERE OPERATING CONDITIONS:

Severe operating conditions are as follows:

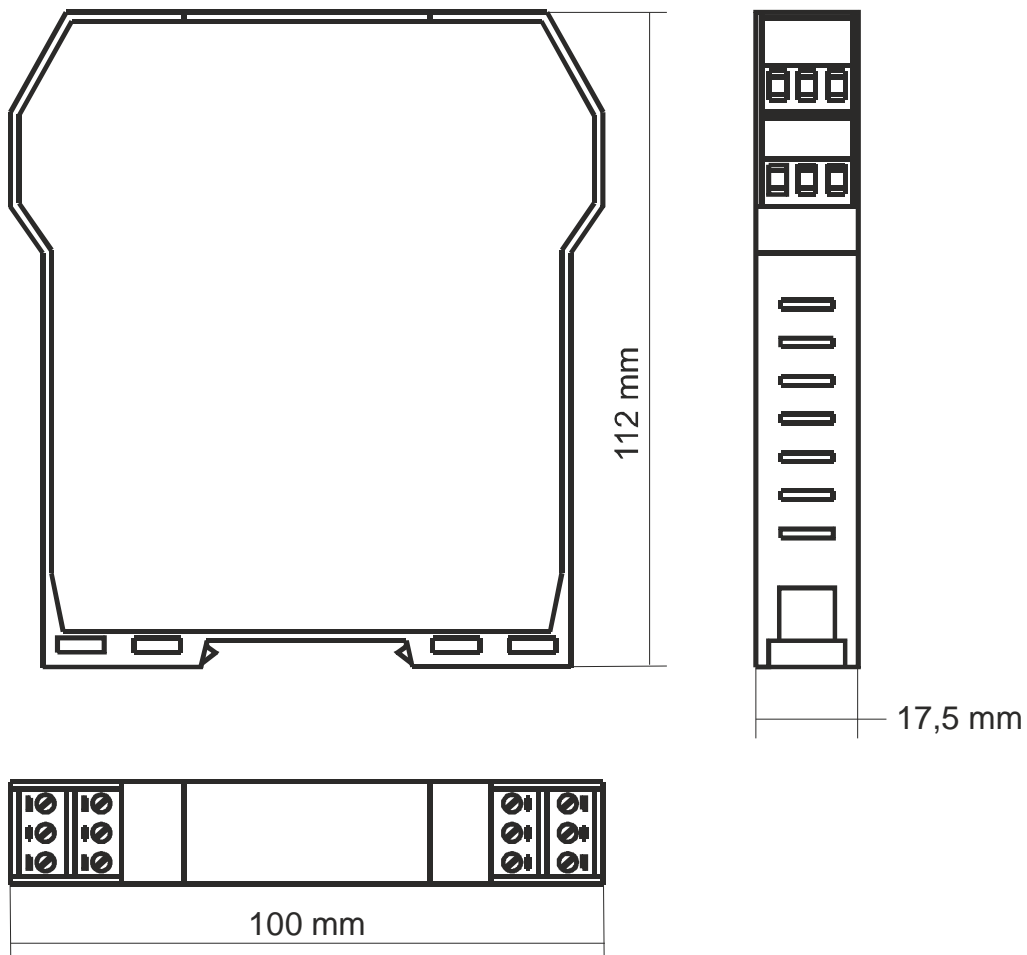
- *High power supply voltage (> 30Vcc / > 26 Vac).*
- *Power supply of the sensor at input.*

When modules are installed side by side, it may **be necessary to separate them by at least 5 mm** in the following cases:

- If panel temperature exceed 45°C and at least one of the severe operating conditions exists.
- If panel temperature exceed 35°C and at least two of the severe operating conditions exist.

## ELECTRICAL CONNECTIONS

We advise you to use shielded cables for connecting signals. The shield must be connected to an earth wire used specifically for instrumentation. Moreover, it is good practice to avoid routing conductors near power appliances such as inverters, motors, induction ovens, etc.



Disposal of Electrical & Electronic Equipment (Applicable throughout the European Union and other European countries with separate collection programs)

This symbol, found on your product or on its packaging, indicates that this product should not be treated as household waste when you wish to dispose of it. Instead, it should be handed over to an applicable collection point for the recycling of electrical and electronic equipment. By ensuring this product is disposed of correctly, you will help prevent potential negative consequences to the environment and human health, which could otherwise be caused by inappropriate disposal of this product. The recycling of materials will help to conserve natural resources. For more detailed information about the recycling of this product, please contact your local city office, waste disposal service or the retail store where you purchased this product.

This document is property of SENECA srl. Duplication and reproduction are forbidden, if not authorized. Contents of the present documentation refers to products and technologies described in it. All technical data contained in the document may be modified without prior notice Content of this documentation is subject to periodical revision.



**SENECA s.r.l.**

Via Austria, 26 - 35127 - PADOVA - ITALY

Tel. +39.049.8705355 - 8705359 - Fax +39.049.8706287

e-mail: [info@seneca.it](mailto:info@seneca.it) - [www.seneca.it](http://www.seneca.it)