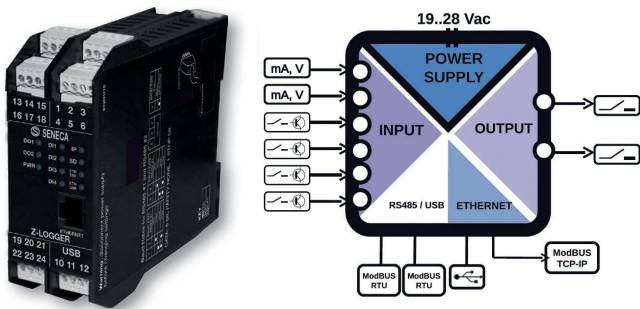


DATALOGGER, ALARM MODULE, WEBSERVER WITH BUILT-IN I/O

Z-LOGGER-SEAL

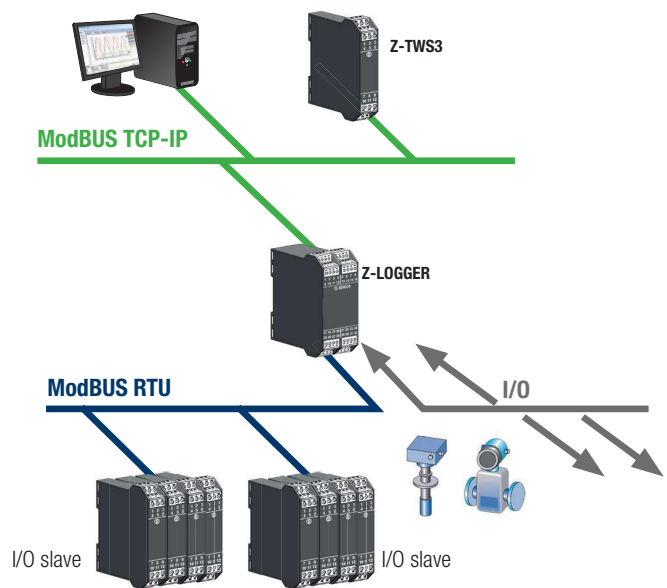


Z-LOGGER-SEAL is an alarm control module integrated with a data logger, a web server and backup batteries. It supports Modbus TCP-IP over Ethernet 10/100 and Modbus RTU over RS485. Z-LOGGER manages csv log files, process alarms, analog thresholds, counters, digital inputs. The module is provided by Nr 2 analog inputs current (0-20 mA) and voltage (0-30V), Nr 4 configurable digital inputs NPN-PNP, Nr 4 32 bits max 10 Hz counters and totalizers, Nr 2 relay outputs NO / NC max 2 A.

TECNICAL FEATURES

GENERAL DATA	
Power Supply	11..40 Vdc; 19..28 Vac
Consumption	Max 3,5 W
Isolation	1,5 kVac
LED Status indicators	Serial communication IP / DHCP connection Ethernet Tx/Rx Ethernet link
Protection Degree	IP20
Operating Temperature	0..55°C
Weight	250 g
Dimension	100 x 112 x 35 mm (lhxpx)
Case	PBT, black
Connection	Removable screw terminals 2,5 mm2
Mounting	DIN rail 35 mm IEC EN 60715
COMMUNICATION	
Interfaces	Nr 1 RJ45 Fast Ethernet 10/100 Mbps port Nr 2 RS85 ports Nr1 mini USB 2.0 type B port
Protocols	ModBUS RTU Master, ModBUS TCP-IP, http, ftp client / server
I/O	
Q.ty/Type	Nr1 Analog Inputs 0.20mA / 0..10V Nr2 Digital Inputs npn, pnp Nr4 Digital Output Relays NA NC max 2A Nr4 Totalizers @32 bit max 30 Hz Nr 4 Resettable counters @ 32 bit max 30 Hz
CPU / MEMORY	
CPU	100 MHz
Flash	2 MB
RAM	12 kB
SD Card	Yes, supported Micro SD/HC Card up to 32 GSB
CONFIGURATION	
Programming System	DIP switch SEAL Web Server
Log	On Micro SD Sending log via Ftp (ETH / router) Download log files csv via Ftp Client / Server
Alarms	Power voltage, analog threshold, counters, digital inputs
STANDARD	
Approvals	CE
Norms	EN 61000-6-4, EN 61000-6-2, EN 61010-1

APPLICATION CASE



ORDER CODE	
Code	Description
Z-LOGGER-SEAL	Datalogger, alarm module, webserver with built-in I/O
SEAL	SENECA Advanced Language, graph programming environment
SEAL LEGACY	SEAL with wizard
EASY LOG VIEWER	Visualization and data acquisition software
Z-SUPPLY	Single-phase switching power supply 24V @ 1.5A
Z-PC-DINAL1-35	DIN rail bus / power supply system head terminal + 1 slot 35 mm
S20ADP-CM-S	Adapter module for sinusoidal sensor input
MSD	Micro SD memory card with adapter
CE-RJ45-RJ45-C	Crossover Ethernet cable (RJ45-RJ45)
CE-RJ45-RJ45-R	Straight-thru Ethernet cable (RJ45-RJ45)