

QUICK START GUIDE - [MyALARM2 \(HW rev. 3\)](#)
[Advanced GSM/GPRS Datalogger](#)
[With embedded I/O and telecontrol functions](#)

1. MYALARM2 PACKAGE CONTENTS

The package includes:

NR 1 MyALARM2

NR 1 AC/DC 12V power supply

NR 1 CD with:

Configuration software

Installation manual

User manual

Quick start guide

NR 1 miniUSB cable

NR 1 GSM antenna

NR 1 support for DIN rail with screws and dowels

NOTE: This QUICK START GUIDE, the INSTALLATION MANUAL and the FULL USER MANUAL can be found in the supplied CD.



In versions MyALARM2 Security (Audio) and MyALARM2 GPS the package contains also a microSD (make sure it is inserted into the microSD slot).

2. CONFIGURATION SOFTWARE INSTALLATION

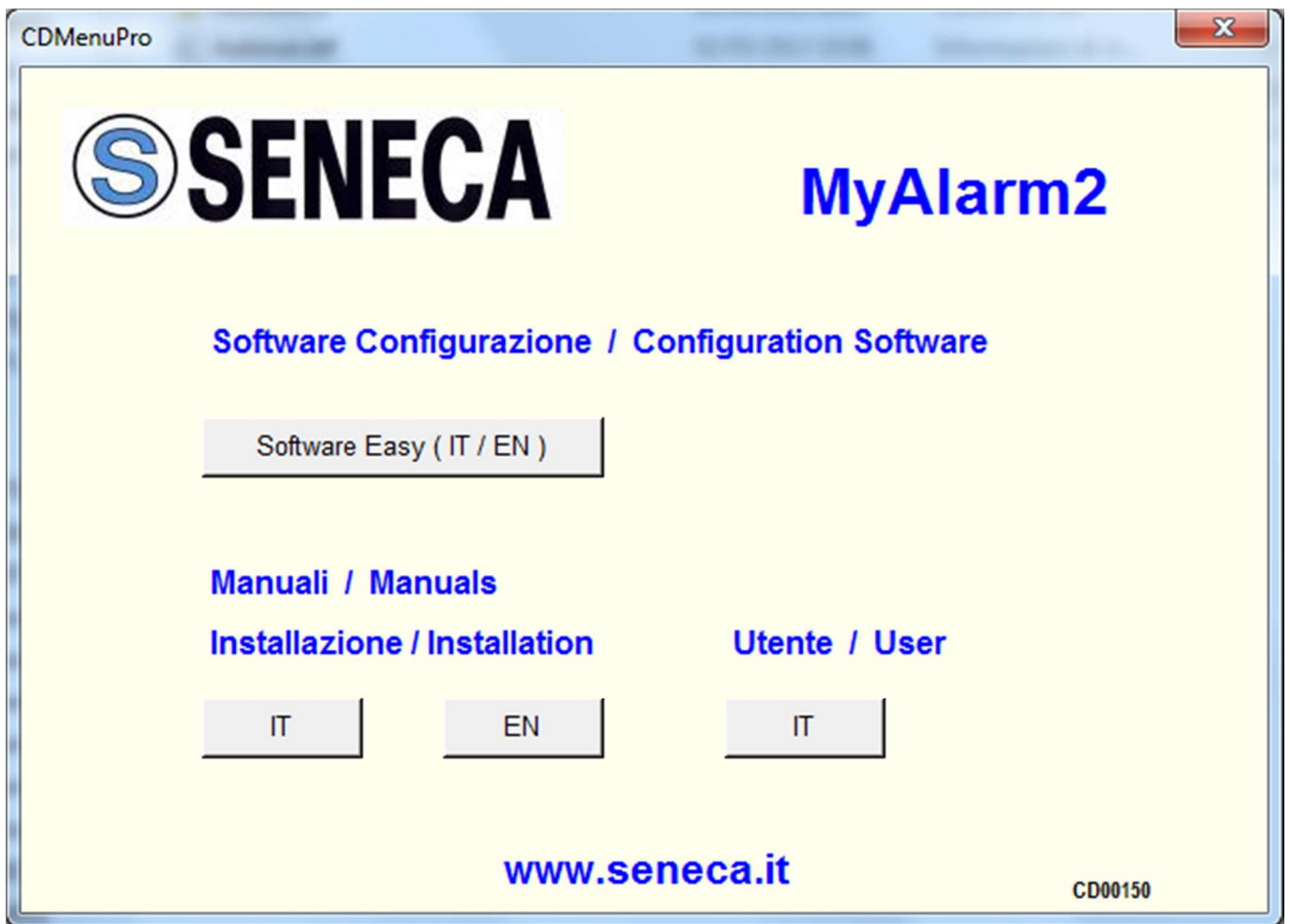
To use MyALARM2 you must first configure the module by connecting to a PC with an operating system Microsoft Windows 7™, Microsoft Windows 8™, or Microsoft Windows 10™ .

Follow the steps below:

- 1) Insert the miniCD included into the package
- 2) If the CD don't start with autoplay launch CD_Start.exe

DOC	02/05/2013 10:47	Cartella di file	
RESOURCE	02/05/2013 10:47	Cartella di file	
Autorun.inf	02/05/2013 10:06	Informazioni di in...	1 KB
CD_Start.exe	02/05/2013 10:46	Applicazione	1.116 KB
Release.txt	02/05/2013 10:42	Documento di testo	1 KB
Start.txt	18/06/2009 11:22	Documento di testo	1 KB

3) Click on “Software Easy”



At the end of the installation confirm the USB drivers installation, click on “install the driver software”:



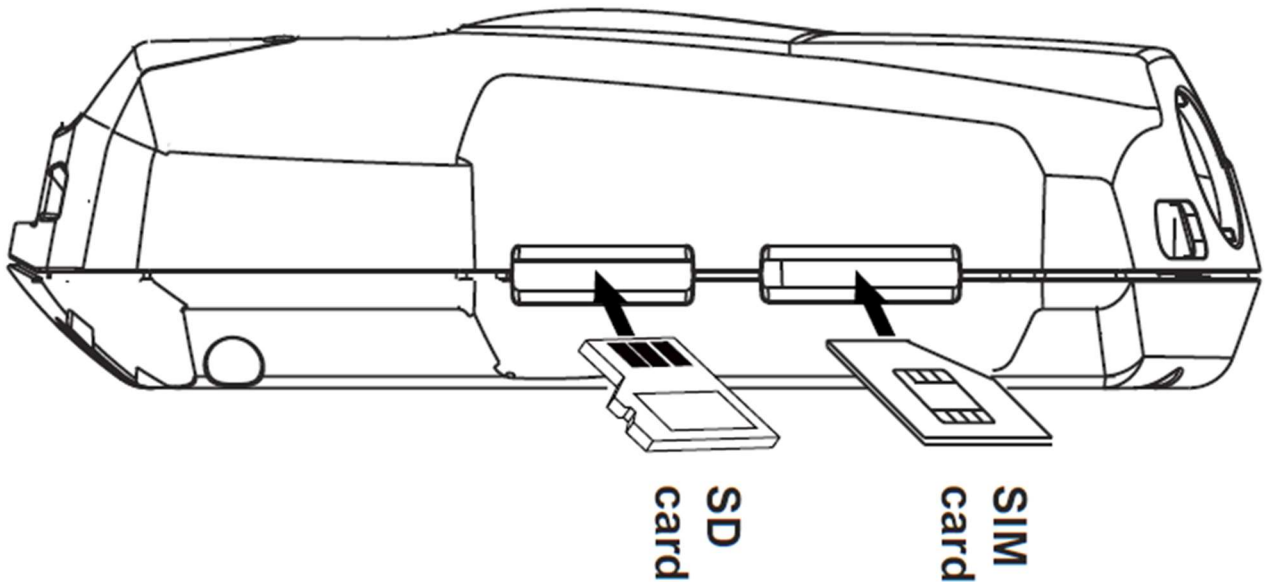
- 4) At the end of this installation the system it's ready to be connected to the MyALARM2

3. PREPARATION FOR THE FIRST START-UP

- 1) Screw the supplied antenna or the optional antenna in clockwise:



- 2) If you want to use MyALARM2 with a GSM SIM card, first insert-it into a GSM cellular and delete all messages in the SIM.
- 3) After, insert the SIM card on MyALARM2.

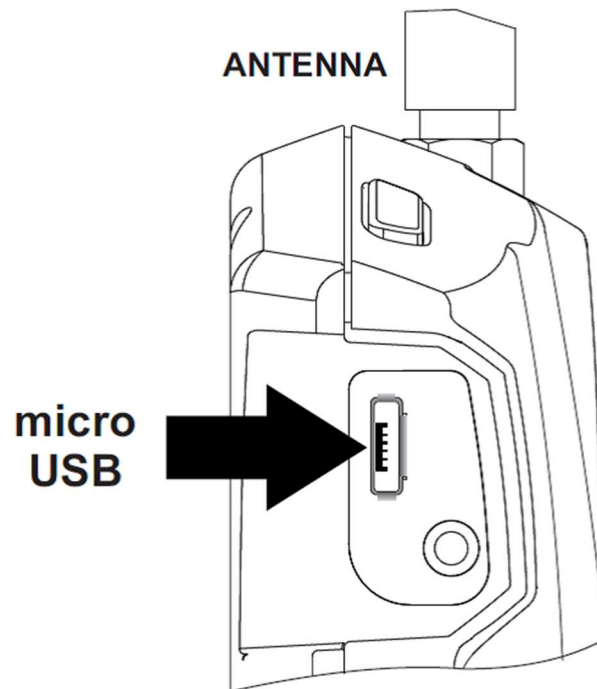


NOTE: MyALARM2 can only work with GSM SIM, UMTS SIM are not supported.

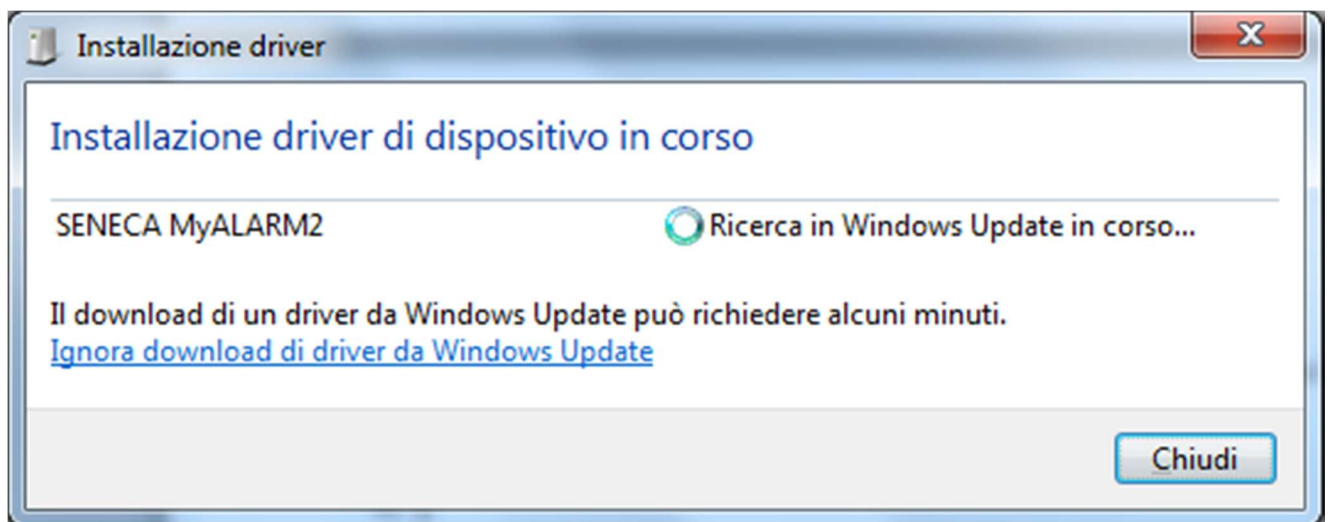
NOTE: MyALARM2 can function as a data logger also without saving data to a microSD card by sending data through a GSM-GPRS SIM card.

NOTE: MyALARM2 can function as a data logger also without a GSM-GPRS SIM card by saving data into a microSD card.

- 4) If you want to save the log to a microSD card insert it into the slot.
- 5) Connect MyALARM2 to the PC via the USB cable supplied

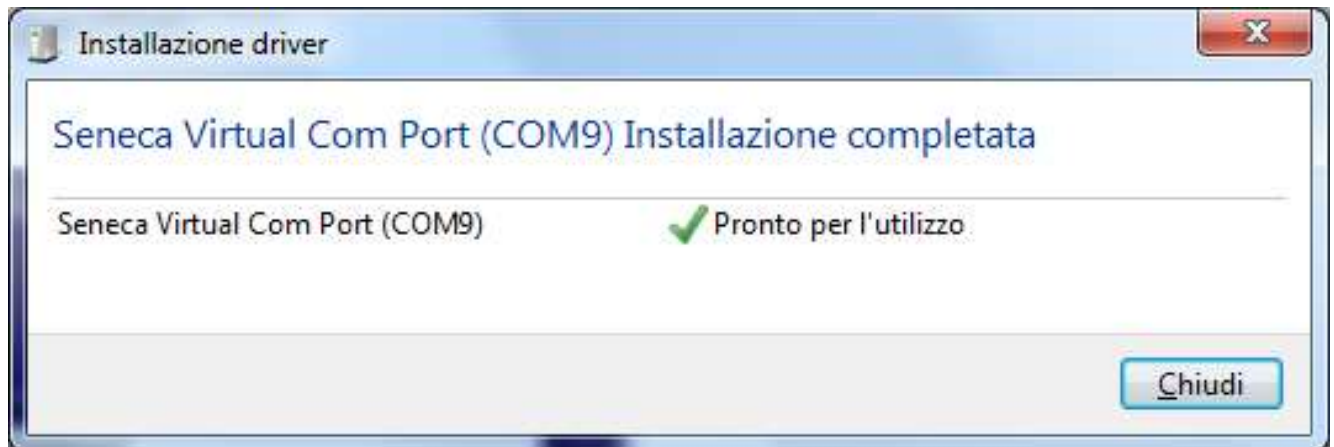


6) The PC recognizes MyALARM2:



To speed up the operation, press "ignore download drivers from Windows Update."

After about 2 minutes:



Now MyALARM2 it's connected to the PC.

The operation is performed only the first time that you connect the MyALARM2.

4. LAUNCHING THE CONFIGURATION SOFTWARE

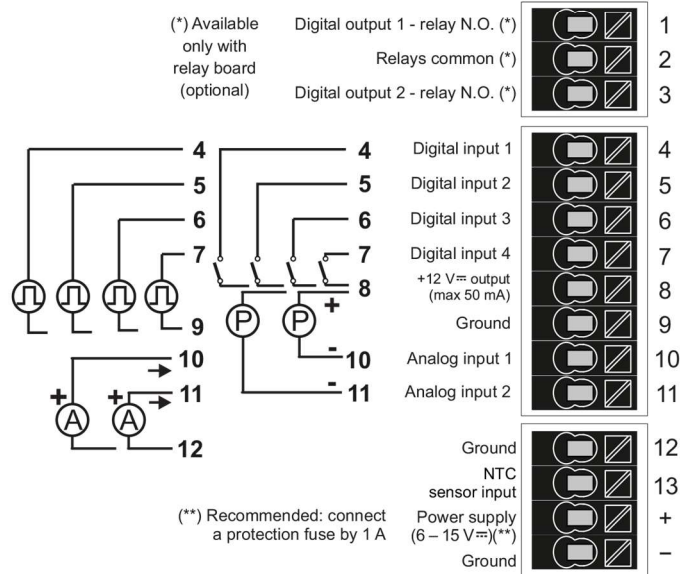
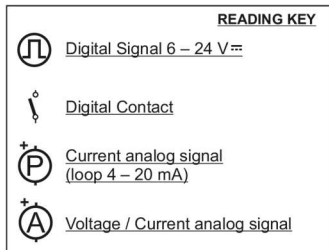
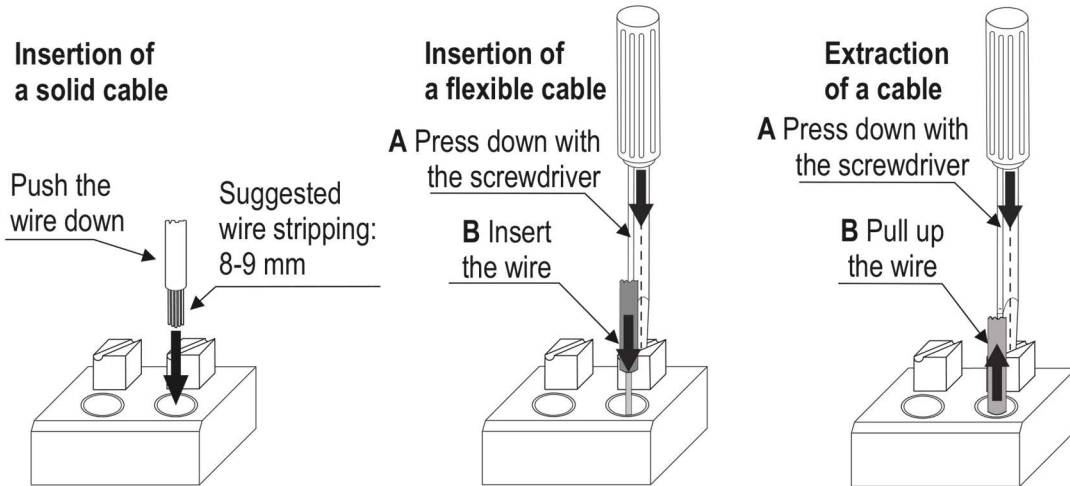
- 1) Launch Easy MyALARM2 from Start-> All Programs-> Seneca-> Easy MyALARM2
- 2) If you are connected to the Internet, the software will automatically check for a software update (Seneca recommended to use the latest configuration software, see the MyAlarm2 page on the site www.seneca.it)
- 3) To create a configuration follow the instructions that provides the software also in the Help section:



- 4) For more information, refer to the user manual

5. MYALARM2 INSTALLATION

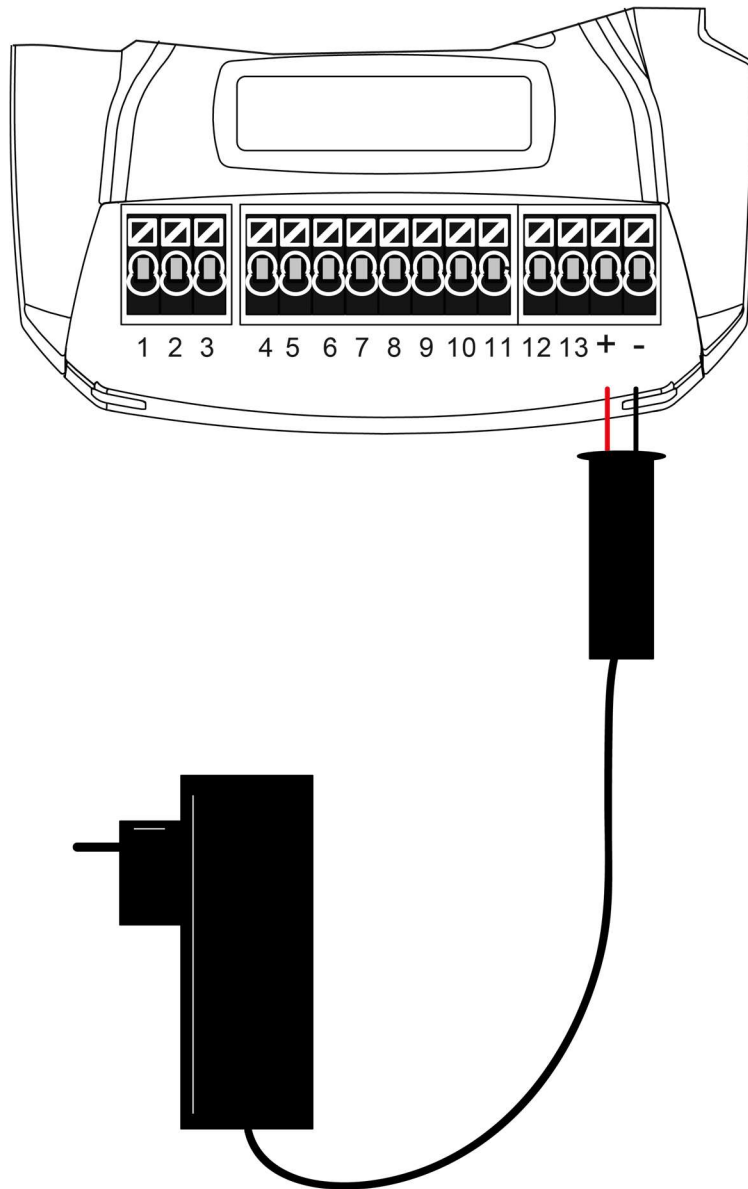
- 1) Disconnect the USB cable
- 2) Connect inputs and outputs:



- 3) Power up MyALARM2 with the AC / DC adapter, take care of the color cables:

+ = Red wire
- = Black wire

Once you have connected the power, MyALARM2 will turn on, wait until the yellow LED "GSM" blinks slowly, the GSM signal level appear on the display. For more information about the installation refer to the installation manual.



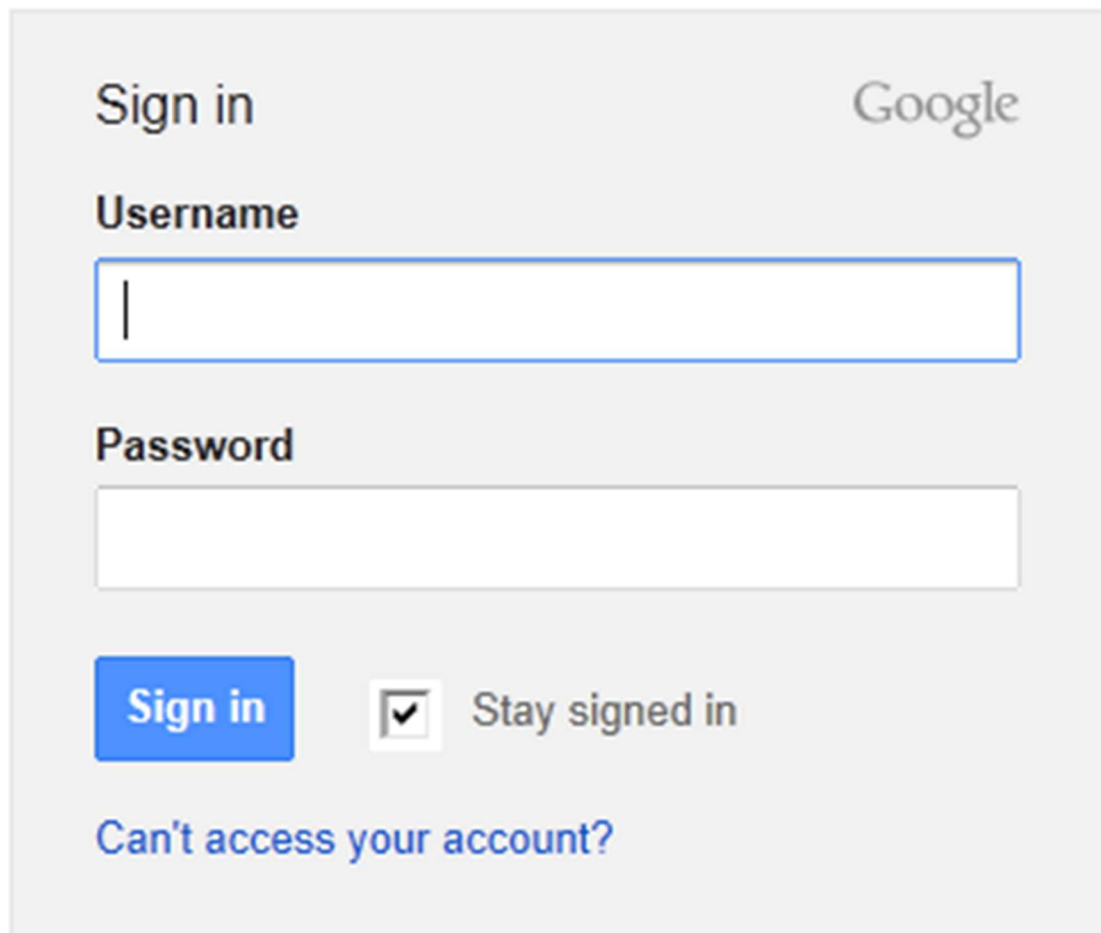
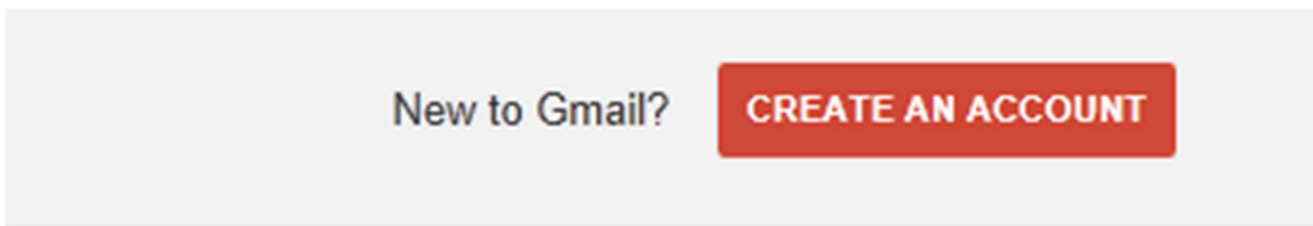
6. USING E-MAILS

To allow MyALARM2 to send E-MAILS previously is essential to create a MyALARM2 e-mail sender address:

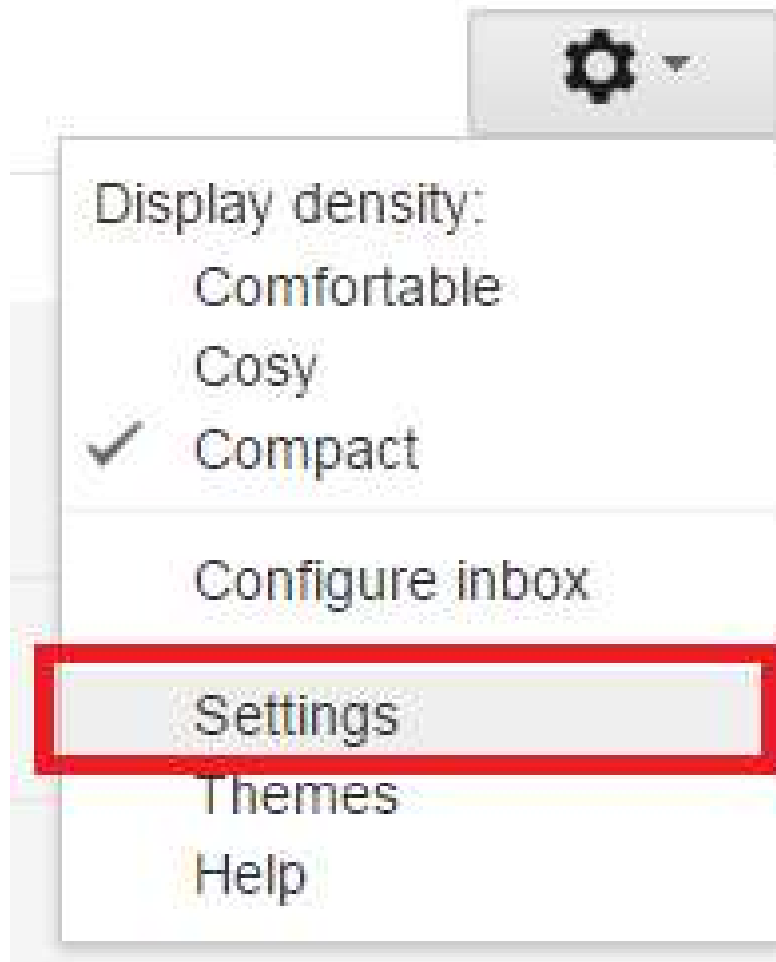
6.1. USING AND CREATING A GOOGLE GMAIL™ ACCOUNT

The steps to create a new email address on gmail.com are as follows:

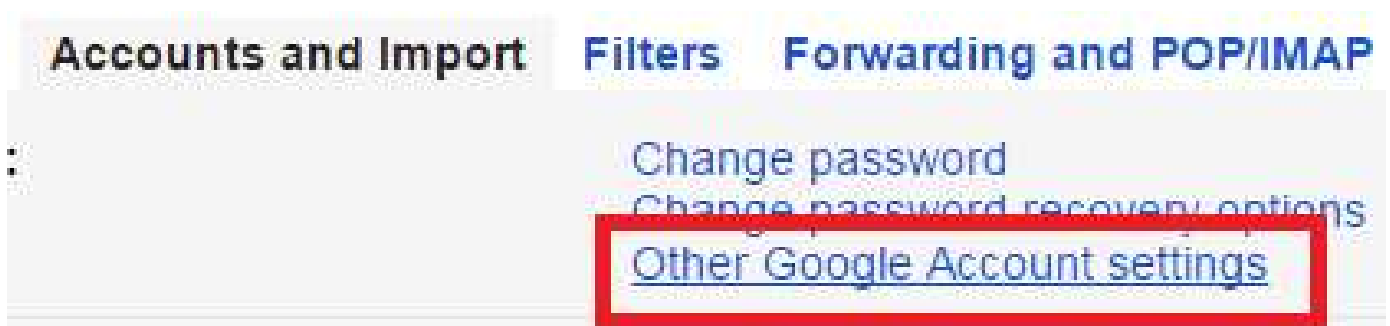
- 1) With a browser type www.gmail.com
- 2) Click on “Create an account”
- 3) Fill in all fields, for more information refer to the help pages of the site gmail.com

A screenshot of the Google sign-in form. At the top left is the text "Sign in" and at the top right is the "Google" logo. Below the logo is the label "Username" followed by a text input field. Underneath is the label "Password" followed by another text input field. At the bottom left is a blue "Sign in" button. To its right is a checked checkbox followed by the text "Stay signed in". At the very bottom is a blue link that says "Can't access your account?".

- 4) Set the account as shown. Open the setting menu



5) Select “other google account setting” from “Accounts and import” tab:



6) In the “Access” section, Click on “Access app for less secure” (the last item)

Access

Password

Email Recovery

Phone number recovery

Secret Question

Occurs in two steps

Access app for less secure

Stuck

Click

7) Active the “access app for less secure”

Access app for less secure

Disable

Active

- 8) After this an email form google advise about changing
- 9) If the account is already active the changing about “access app for less secure” will be active in 3 days, otherwise the changing will be already active in a new account creation.
- 10) In the configuration software refer to the following example configuration:

E-MAIL CONFIGURATION

ENABLE E-MAIL? YES

E-MAIL

DEVICE E-MAIL ADDRESS example@gmail.com

EMAIL - GPRS

SMTP SERVER	PORT
smtp.gmail.com	465
PROTECTED CONNECTION (SSL) REQUIRED FROM SERVER?	YES
REQUIRED AUTHENTICATION?	YES

SMTP SERVER AUTHENTICATION

USERNAME example@gmail.com

PASSWORD [REDACTED]

7. SMS SEND-RECEIVE TEST

To verify the correct send-receive SMS configuration, send the following SMS from a mobile phone with number that has been entered as "Administrator":

status

At this SMS MyALARM2 must respond with an SMS message containing the information requested in the configuration.

8. E-MAIL SEND TEST

To verify the correct EMAIL send configuration, send the following SMS from a mobile phone with number that has been entered as "Administrator":

email test

At this SMS MyALARM2 must respond with an E-MAIL message to the first administrator E-mail address with object:

“myAlarm2:test”

With the attachment “myAlarm2_TEST.txt”.

9. FTP SEND TEST

To verify the correct FTP send configuration, send the following SMS from a mobile phone with number that has been entered as "Administrator":

ftp test

At this SMS MyALARM2 must send to the FTP server configured, into the configured directory, the “myAlarm2_TEST.txt” file.

10. USING MYALARM2 WITHOUT ANY CONFIGURATION

MyALARM2 can be used with a basic operation without any configuration.

To use MyALARM2 in the basic operation mode following this steps:

- 1) Insert a SIM card, taking care to remove the PIN previously with the help of a cell phone
- 2) Power up MyALARM2
- 3) Wait until the LED stops blinking quickly GSM

Make a phone call to the number of the SIM card with a cell phone, the phone number that started the call becomes the "administrator" number

Now you can send to MyALARM2 the following commands:

<i>SMS TEXT</i>	<i>DEFAULT COMMAND</i>
0	-
1	STATUS REQUEST
2	SEND COUNTER VALUES
3	SEND COUNTER VALUES AND RESET
4	SEND TOTALIZER VALUES
5	SEND TEMPERATURE VALUE
6	-
7	-
8	CLOSE OUT1
9	CLOSE OUT2
10	CLOSE OUT 1 FOR 5 SECONDS, THEN OPEN-IT
11	CLOSE OUT 2 FOR 5 SECONDS, THEN OPEN-IT
12	OPEN OUT 1
13	OPEN OUT 2
14	OPEN OUT 1 FOR 5 SECONDS, THEN CLOSE-IT
15	OPEN OUT 2 FOR 5 SECONDS, THEN CLOSE-IT

11. PROBLEMS AND SOLUTIONS

<i>PROBLEM</i>	<i>SOLUTION</i>
<p>Sending the SMS: email test no e-mail arrives to the first administrator e-mail address</p>	<p>-Make sure that the APN setting matches the mobile operator and if the APN access requires the authentications. See: http://wiki.apnchanger.org/Main_Page -Check that the GSM signal is greater than 2/7 -The e-mail is in the SPAM directory -The SMTP server supports SSL encryption and you have not set the correct port -You are using an SMTP server of a telephone company competitor to your SIM card, change the SMTP server with the correct one.</p>
<p>Sending the SMS: ftp test no files arrives to the ftp server configured.</p>	<p>-The folder configured to put the log files does not exist, first create the folder in the ftp server -Check if the IP / name of the FTP server are</p>

	<p>correct</p> <ul style="list-style-type: none">-Make sure that the username / password to access the ftp server are correct
<p>The GSM signal is always 0/7 and the GSM indicator still continues to flash rapidly</p>	<ul style="list-style-type: none">-The SIM card is not recognized, cleaning or replacing the SIM-The SIM card has the PIN enabled, insert the SIM card in a mobile phone and disable the PIN, or enable and enter the PIN in the configuration software
<p>The GSM signal it's too low</p>	<ul style="list-style-type: none">-Wait at least 10 minutes before reading the signal GSM value-Try to use a SIM card from another mobile operator-Move the installation of MyALARM2-Use an optional external antenna: For more information contact Seneca or see the website in the section www.seneca.it MyALARM2.
<p>It's not possible to obtain the SIM card credit residual</p>	<ul style="list-style-type: none">-Check the method used to retrieve the remaining credit by the mobile operator (ring or SMS, SMS text of request).-The SIM card is subscription-type and not rechargeable type.
<p>MYALARM2 worked properly for a few days or months then stopped sending both SMS and logs.</p>	<ul style="list-style-type: none">-The SIM credit is exhausted, recharge the SIM card.The SIM-card has expired. Replace the SIM card or contact the mobile operator.