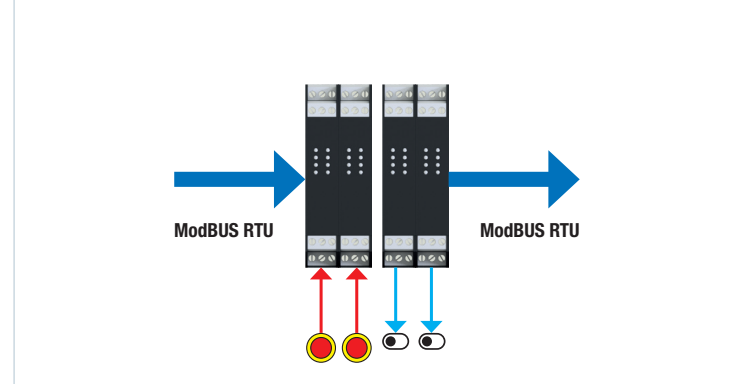
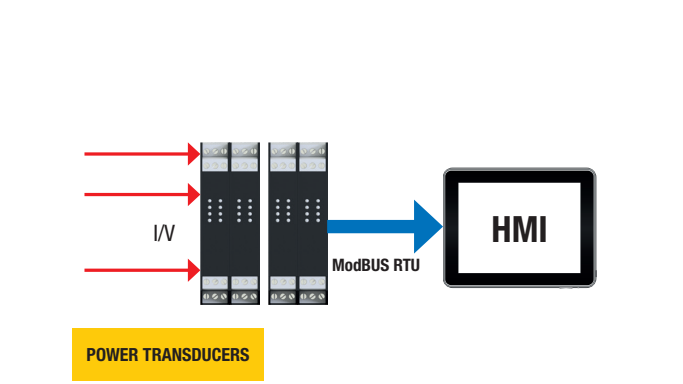


Data acquisition and interfaces

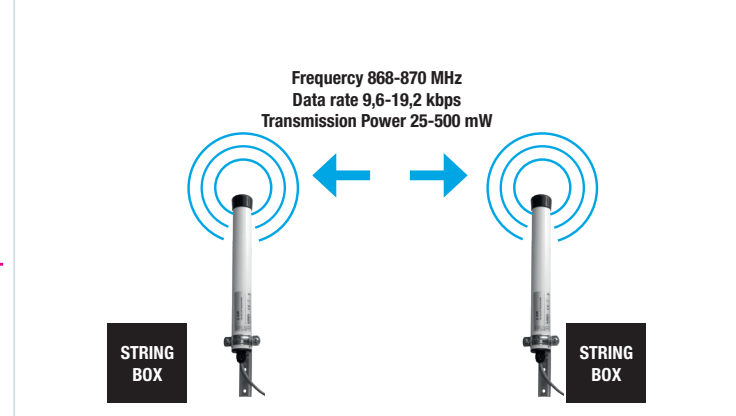
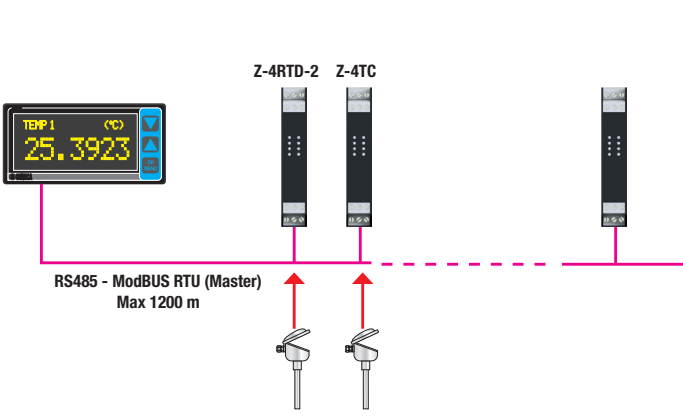
ANALOG DATA ACQUISITION

COMMANDS & ALARMS MANAGEMENT



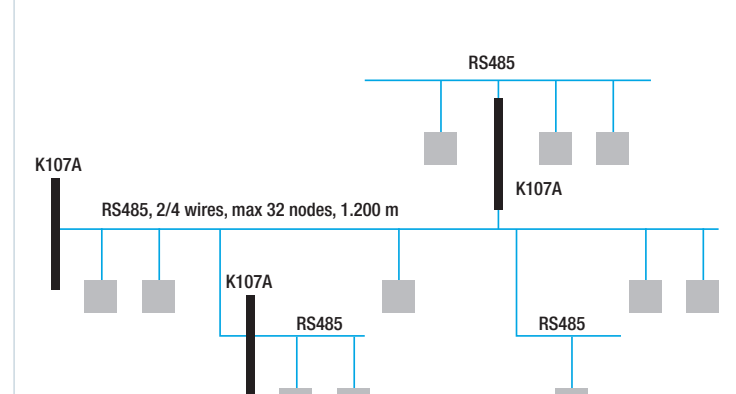
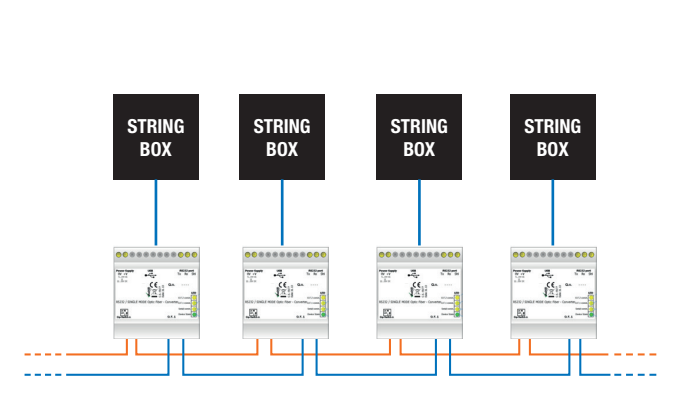
TEMPERATURE ACQUISITION AND VISUALIZATION

WIRELESS TRANSMISSION



FIBER OPTIC CONNECTION

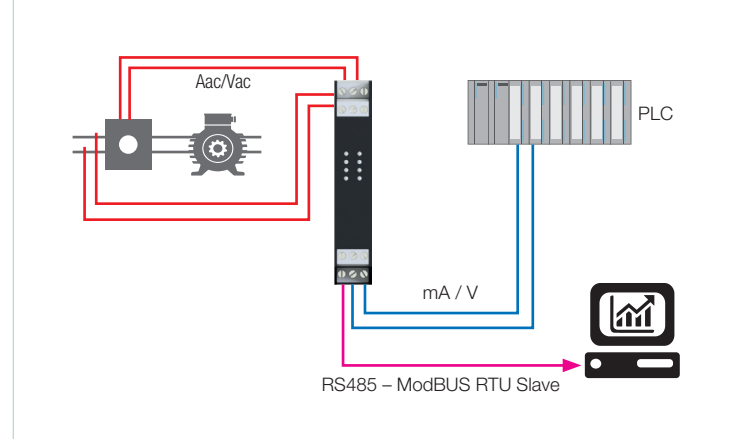
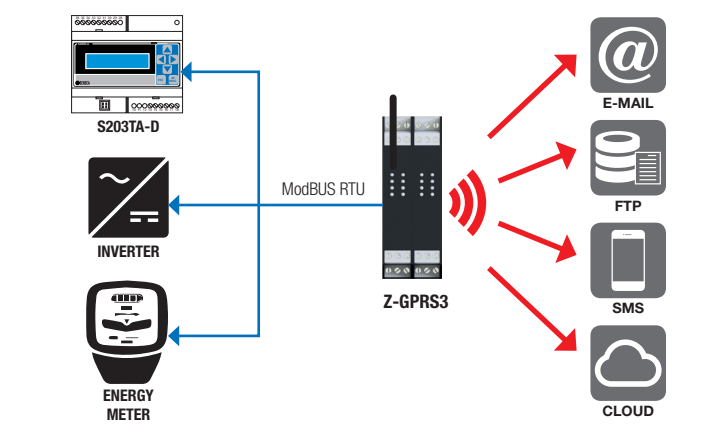
SERIAL TRANSMISSION



Control, monitoring and diagnostic

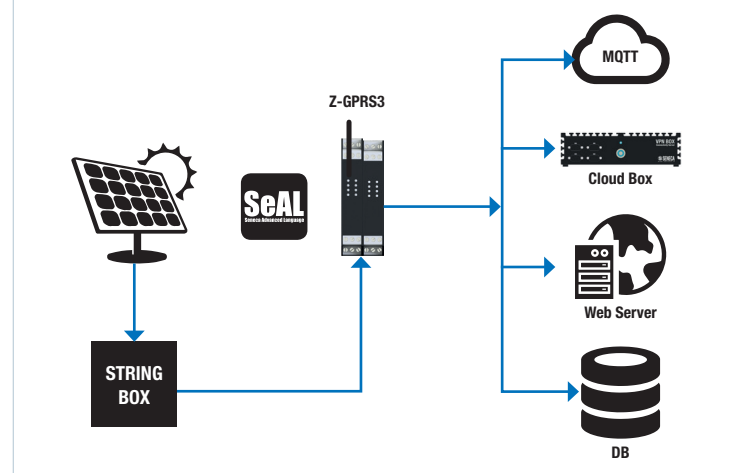
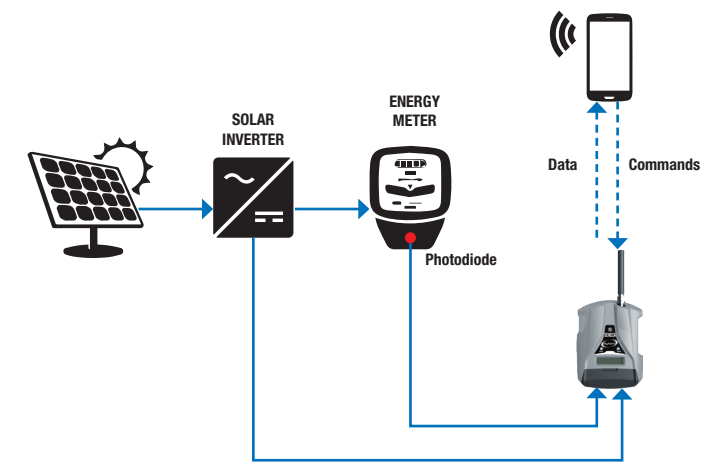
PHOTOVOLTAIC INVERTER CONTROL

POWER CONSUMPTION DATA RECORDER



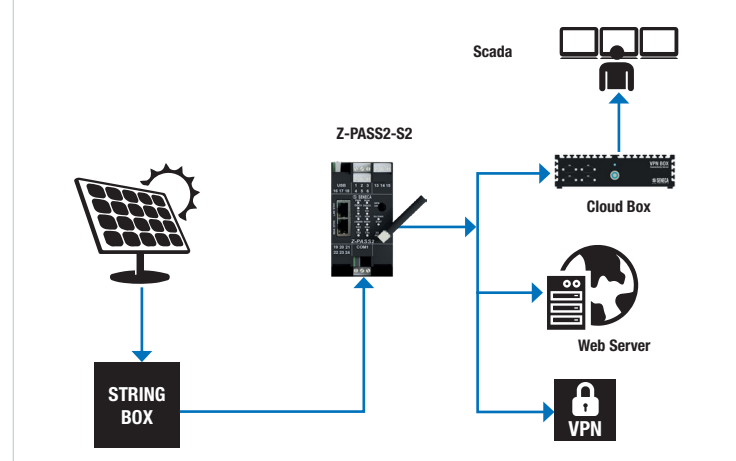
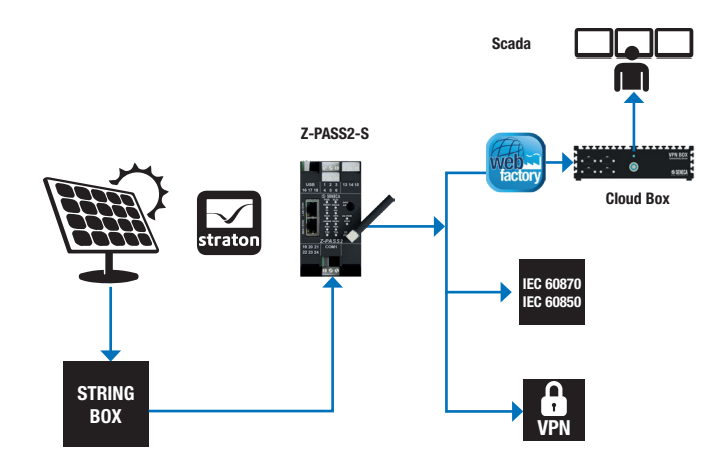
REMOTE POWER MONITORING

SMART DATALOGGING



PLANT MONITORING BY RTU / CONTROLLERS

SERIAL / ETHERNET / 3G / 4G CONVERSION



PHOTOVOLTAIC SYSTEMS COMPONENTS & SOLUTIONS



1800611_PHOTOVOLTAIC SYSTEMS 1007_EN - July 2016

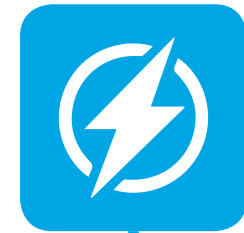
MODULAR SOLUTION

SENECA proposal for photovoltaic systems includes single devices for high accuracy data acquisition and parameters remote control. The modularity and wide range of models continues to meet the actual needs, so the users can design and assemble themselves without having any constraint on the number of signals to manage. The overall compact size allows installation even in design of existing equipment, without impacting power signals. The high degree of isolation between signals and power, makes the solution **SENECA** among the most reliable and immune to noise available on the market

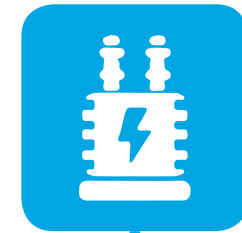
SOLAR PANEL ARRAY



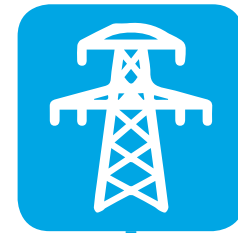
STRING BOX / INVERTER STATION



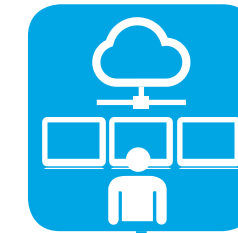
TRANSFORMER SUBSTATION



POWER GRID



SUPERVISION / CLOUD



MEASUREMENT TRANSDUCERS



TEMPERATURE MEASUREMENT



POWER METERS



ENERGY COUNTERS



ROGOWSKI COILS

STRING BOX COMPONENTS



CURRENT TRANSDUCERS



I/O MODULES FOR DATA ACQUISITION



SIGNAL CONVERTERS



OVERVOLTAGE PROTECTIONS

COMMUNICATION INTERFACES



INDUSTRIAL GATEWAYS / ROUTERS



SERIAL / USB CONVERTERS



RADIO MODULES



FIBER OPTIC CONVERTERS

REMOTE ACCESS / DATA MANAGEMENT



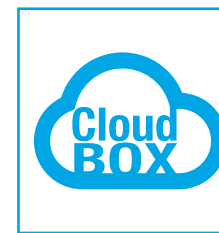
SMART DATALOGGERS / ALARM UNITS



IEC 61131 / IEC61850 / IEC 60870 RTUS & CONTROLLERS



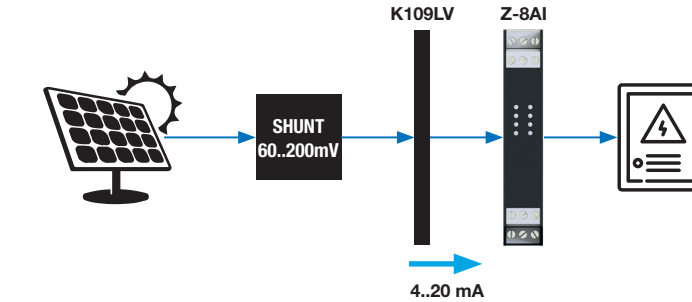
REMOTE ASSISTANCE / TELECONTROL PLATFORM



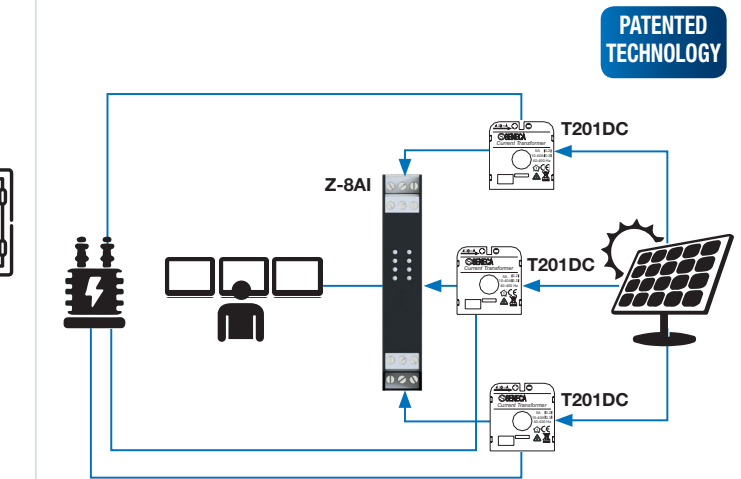
IoT / CLOUD SOLUTIONS

Measurement Transducers

STRING VOLTAGE ACQUISITION BY SHUNT



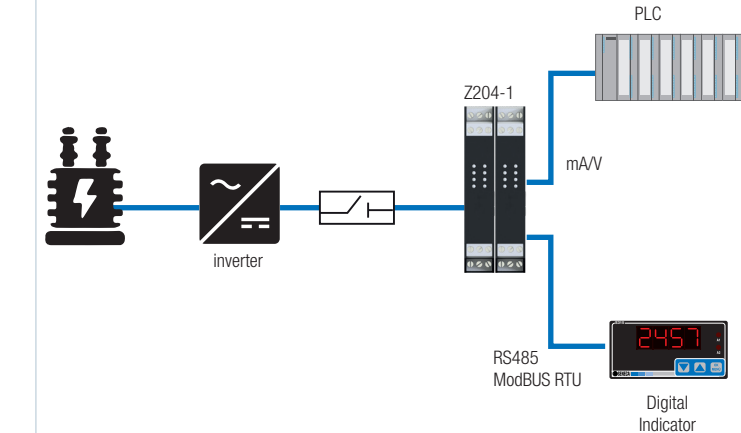
FREE CONTACT STRING CURRENT ACQUISITION



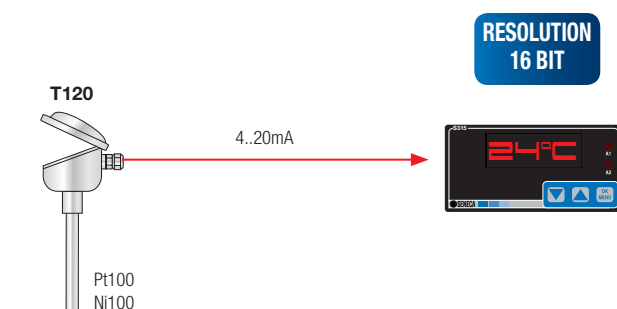
AIR / PANEL TEMPERATURE ACQUISITION



VOLTAGE MEASUREMENT CON PHOTOVOLTAIC PANELS



ENVIRONMENT PARAMETERS ACQUISITION (INTERNAL PROBE)



ENVIRONMENT PARAMETERS ACQUISITION (BY PROBE / CLAMP)

